



# TronRFID TR8E00 RFID Antenna

- Low Profile with only 8mm thickness and 700mmx370mm dimensions
- IP67 Rated for permanent outdoor use, polycarbonate radome and dielectric material (fire resistant and ultra-durable)
- Eight symmetrically fed patch array antenna for shelf applications

The TronRFID TR8E00 RFID Antenna is right-hand circularly polarized panel antenna that provides transmission and reception of UHF RFID signals between 865MHz-868MHz (TR8E00-ETSI) and 902MHz-928MHz (TR8E00-FCC).

The antenna is made with high strength polycarbonate radome and substrate with tinned steel plate for strong durability in harsh outdoor/indoor environments.



## Antenna Order Information

Product Name	Part Number	EPC Gen2 Band
Eight Patch Array Mat Antenna (ETSI)	TR8E00-ETSI	865MHz-868MHz
Eight Patch Array Mat Antenna (FCC)	TR8E00-FCC	902MHz-928MHz

## Physical Specifications:

Dimensions (L x W x H)	700mm x 370mm x 8mm (27.6" x 14.6" x 0.32")
Weight	2.7kgs/6lbs
Connector type	RPTNC Connector
Radome	High Strength Polycarbonate (Black)
Back plate	Polished aluminum
Mount Style	Flush or Flat with four corner holes for M4 screws.
Cable Length and Type	LMR 195 Equivalent ultra flex with standard length 55cm (Cable length is customizable)

## Environmental Specifications & Test

Environmental rating	IP67
Operating temperature	-22°C to +55°C   -4°F to +149°F
Plenum rating	Designed to meet specification (Certificate pending)
IECEX and ATEX certification	Designed to meet specification (Certificate pending)

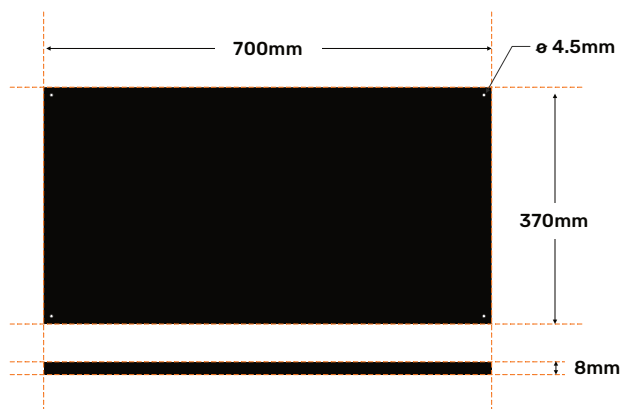
## Electrical Specifications

Specifications	(ETSI Version)	(FCC Version)
Frequency range	865MHz - 868MHz	902MHz - 928MHz
Polarization	LHCP (Left Hand Circular Polarization)	
Far field gain	9dBic	
VSWR	1.3 : 1	
Front to back ratio	20dB	
Input impedance	50 Ohms	
DC Resistance	Open	
Maximum input power	10 W	

## Physical Mounting Information

The TronRFID Antenna is available in Flush mounting style on a wall, ceiling, tabletop or any flat surface. It can also be mounted on VESA bracket using an accessory.

The TR8E00 RFID antenna can be mounted on shelf or flat surface using four M4 screw compatible holes. It is strong enough to withstand load of over 1000lbs with back support and 100lbs with support at the sides only.



## Application Notes

- Medical and Pharma Applications
- Race Timing Applications
- Doorways and Portal Applications
- Retail and Theft Prevention Applications
- Fridge and Cabinet Shelf Application

The technical data cited in this publication is not a guarantee of performance in which we assume legal, financial or contractual accountability. It is a representation of typical performance, and if required should be relied on for specific applications only after due verification by the user.

*The technical data cited in this publication is not a guarantee of performance in which we assume legal, financial or contractual accountability. It is a representation of typical performance, and if required should be relied on for specific applications only after due verification by the user.*



© 2020 RFID4U All Rights Reserved.

**NEED HELP WITH YOUR SOLUTION OR MORE DETAILS? CONTACT US!**

### Location

📍 5159 Commercial Circle,  
Suite H, Concord,  
CA, 94520, USA

### Contact

☎ (877) 599-5584  
✉ sales@rfd4ustore.com  
🌐 rfd4ustore.com