

TagMatiks Gorilla Square



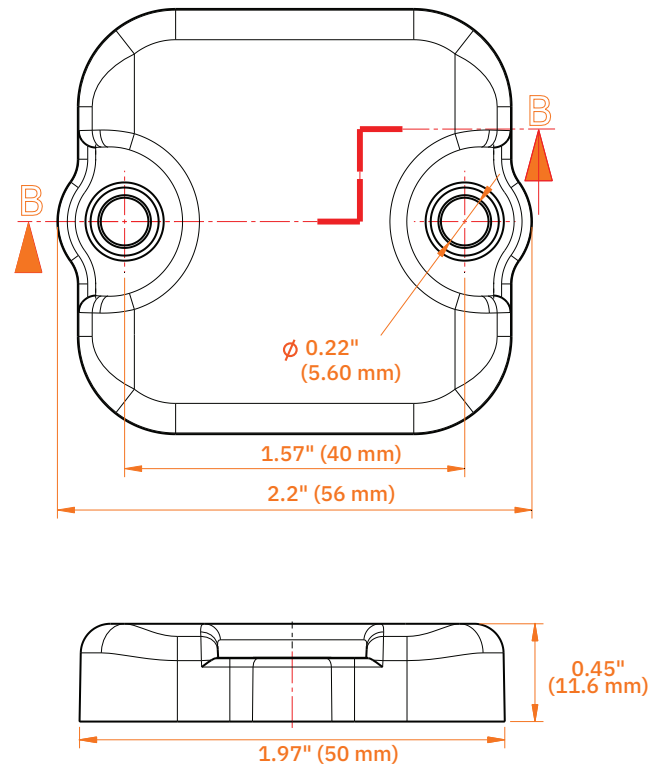
Ordering Information

SKU: TAG-GO-SQ

Frequency: Global 860-960 MHz

TagMatiks Gorilla Square tag optimized for securing metal assets. Based on a rugged construction, square footprint and good durability, the tag is made to withstand harsh weather, high impact or other challenging application environments and is ideal for Logistics & Supply chain and manufacturing applications.

The tag is provided with a high performance permanent adhesive backing. Alternatively, the tag can be attached to items using the mounting holes.



Typical Applications

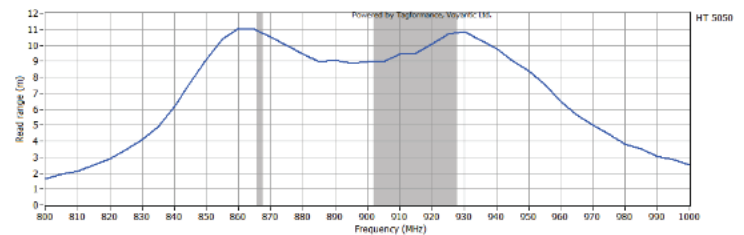
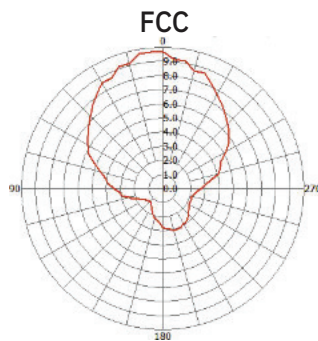
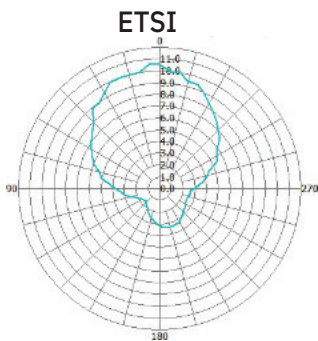
- Supply Chain
- Logistics & Yard management
- Manufacturing
- Asset tracking

Radio Frequency Specification

Mode of Operation	-	Passive
Device Type	-	Plastic Hard Tag
Air Protocols	-	EPC Gen2/ISO/IEC 18000 6C
Operating Frequency	-	Global 860-960 MHz
Read Range	-	ETSI : Upto 10 m, FCC : 10 m

Physical Specification

Attachment Method	-	High performance permanent adhesive with excellent bonding to a variety of substrates
Operating Temperatures	-	-40°C to +80°C / -40°F to +176°F
Dimensions	-	50 x 50 x 10 mm (tolerance ± 1 mm) Hole Dia: 5.6mm 1.97 x 1.97 x 0.39 inch Hole Dia: 0.22 in



RADIATION PATTERN & READ RANGE GRAPH

The technical data cited in this publication is not a guarantee of performance in which we assume legal, financial or contractual accountability. It is a representation of typical performance, and if required should be relied on for specific applications only after due verification by the user.



© 2023 RFID4U All Rights Reserved.

NEED HELP WITH YOUR SOLUTION OR MORE DETAILS? CONTACT US!

Location

📍 5159 Commercial Circle,
Suite H, Concord,
CA, 94520, USA

Contact

☎ (877) 599-5584
✉ sales@rfd4ustore.com
🌐 rfd4ustore.com