

## Omni-ID® IQ 800G

Omni-ID's windshield label tag, the IQ 800G is the perfect solution to optimize vehicle asset management operations. When attached to glass surfaces, the superior read performance of the IQ 800G assures reliability and accuracy.



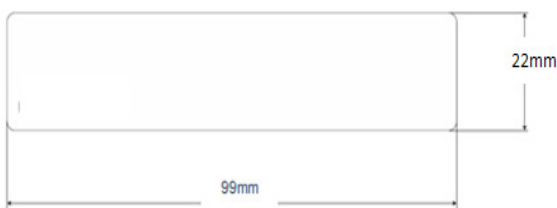
### Building Intelligent Supply Chains

Vehicle asset management and control can take many forms:

- ▶ Road Toll Collection
- ▶ Parking Permits
- ▶ Vehicle Access Control
- ▶ Vehicle Registration

#### Physical Specifications

|                          |                                |
|--------------------------|--------------------------------|
| Material                 | Polyethylene                   |
| Size (mm)<br>(tolerance) | 99 x 22 x 0.2<br>+/- 0.5       |
| Size (in)<br>(tolerance) | 3.90 x 0.87 x .008<br>+/- 0.02 |
| Reel Core inner diameter | 76mm or 3"                     |
| Outside roll diameter    | 203mm or 8"                    |
| Pitch on reel            | 25.4mm or 1"                   |
| Weight (g)               | 1                              |

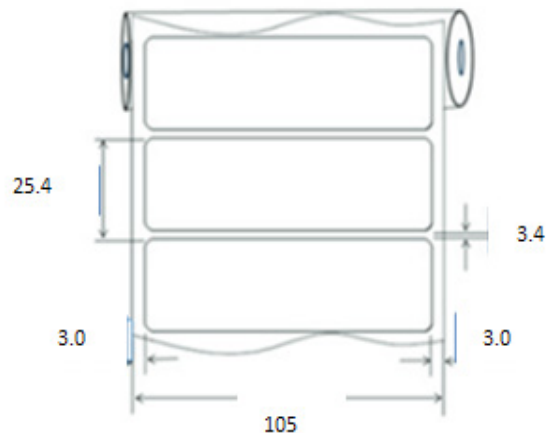


Dimensions stated in mm  
Supply format = 1000 labels per roll

#### RF Specifications

|                                           |                                               |
|-------------------------------------------|-----------------------------------------------|
| Protocol                                  | EPC Class 1 Gen2                              |
| Frequency Range (MHz)                     | 860-960MHz (global)                           |
| Read Range (Fixed reader) <sup>1</sup>    | Up to 8.0 m (26.25ft)                         |
| Read Range (Handheld reader) <sup>1</sup> | Up to 5.0 m (16.5ft)                          |
| Material Compatibility                    | Glass                                         |
| IC Type (chip)                            | Alien Higgs3                                  |
| Memory <sup>2</sup>                       | EPC - 96bit<br>User - 512bits<br>TID - 64bits |

1. Quoted performance achieved using standard testing methodology. Read range will vary with reader hardware and output power.  
2. EPC and User memory are reprogrammable, TID is locked at point of manufacture.



## Windshield Tag - IQ 800G

### Options for Personalization

- ▶ Inkjet and thermal transfer printable on one side.
- ▶ Two sided artwork is a custom option to accommodate all customer needs.
- ▶ Data Encryption.
- ▶ Human readable printing (barcodes, text, etc...).
- ▶ Delivered in reel format with the ability to be encoded.



## Environmental Specifications

|                                    |                     |
|------------------------------------|---------------------|
| Storage Temperature <sup>1</sup>   | -20° to +60°C       |
| Operation Temperature <sup>1</sup> | -20° to +60°C       |
| Survivability <sup>1</sup>         | -20° to +60°C       |
| Attachment                         | Film adhesive (std) |
| Warranty                           | 1 year              |

### Certifications



RoHS approved  
CE approved

1. Excludes adhesive options, consult adhesive data sheets for recommended temperature ratings.
2. Testing methodology available on request

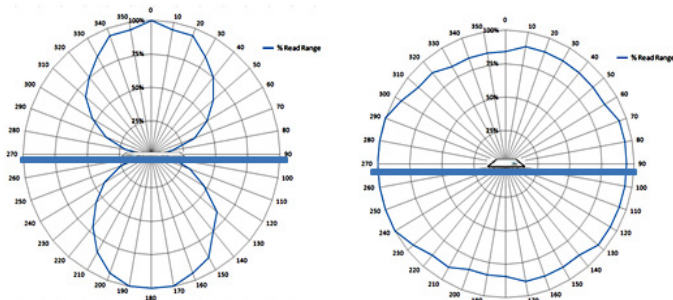
## Ordering Information

|                                 |                                                                                      |
|---------------------------------|--------------------------------------------------------------------------------------|
| Order number                    | 121 GS<br>:303 (Customization)<br>:701 (Standard Service Bureau)                     |
| Print Options (Windscreen side) | Dynamic data: EPC/TID barcode<br>Dynamic and fixed text<br>Color/Monochrome graphics |
| Print Options (Driver side)     | Dynamic data: EPC/TID barcode<br>Dynamic and fixed text<br>Color/Monochrome graphics |
| Supply Format                   | 1000 Labels per roll                                                                 |
| (MOQ) Minimum Order Quantity    | 50,000 pcs/ 4 rolls for printed labels only                                          |

A tamper-resistant option is available as a custom option.

## Radiation Patterns

### On Glass



Authorized Reseller:  
RFID4UStore  
[www.rfid4ustore.com](http://www.rfid4ustore.com)  
1-408-739-3500  
[sales@rfid4ustore.com](mailto:sales@rfid4ustore.com)

Omni-ID office locations: US | UK | China | India | Southeast Asia | Germany  
For product or technology inquiries email: [sales@omni-id.com](mailto:sales@omni-id.com)