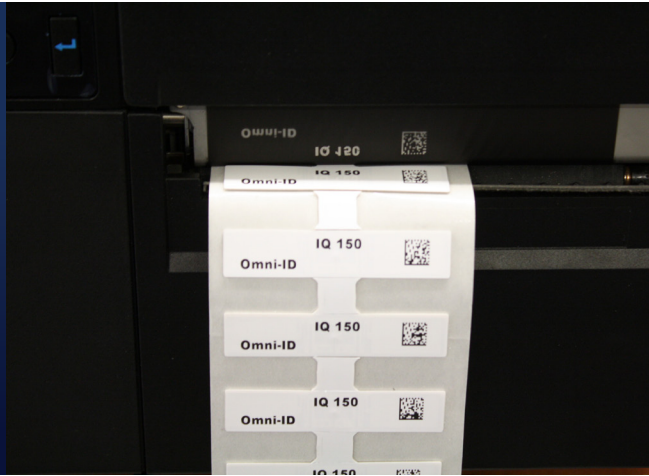


Omni-ID® IQ 150

The IQ 150 Ultrathin labels are designed for on metal tag functionality, within a small, low profile, easy to deploy label. Optimized for thermal barcode printers, the Omni-ID IQ 150 enables low cost and hassle-free RFID deployment. The Ultrathin labels redefine the standard for repeatability for on and off metal tagging applications demanding a very small low profile tag.



Building Intelligent Supply Chains

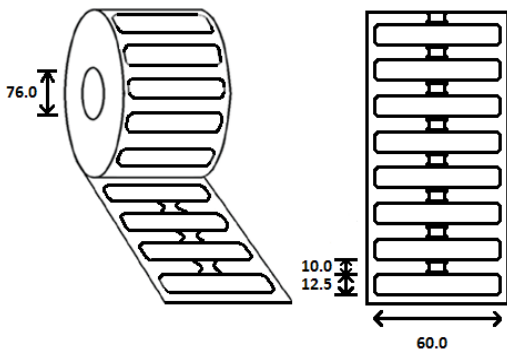
With innovative construction and excellent thermal barcode printer compatibility, the Omni-ID IQ 150 label is ideal for hassle free deployment of indoor asset management applications such as:

- ▶ IT, office, hospital and laboratory asset tracking
- ▶ Weapons, pipes, and road signs
- ▶ Warehouse management

Physical Specifications

Material	White Synthetic Label
Size (mm) ¹ (tolerance)	60.0 x 12.5 x 1.0 with ground plane 60.0 x 12.5 x 0.9 without ground plane (+/- 0.5)
Size (in) ¹ (tolerance)	2.36 x 0.5 x 0.039 with ground plane 2.36 x 0.5 x 0.035 without ground plane (+/-0.02)
Weight (g)	.25

¹ Product dimensions may vary but will be no longer than the dimensions stated above.



Dimensions stated in mm
Supply format = 1000 labels per roll

RF Specifications

Protocol	EPC Class 1 Gen2v2
Frequency Range (MHz)	866-868 (EU) 902-928 (US)
Material Compatibility	Optimized for all materials
Standard Label with ground plane	Suitable for bare aluminum
Custom Label without ground plane	

IC Types

Read Range with ground plane	Impinj Monza R6 (standard)	Impinj Monza 4QT (custom option)
Fixed Reader ¹	Up to 1.6	Up to 1.3
Handheld Reader ¹	Up to 1.0	Up to 1.0
Memory ^{2,3}	EPC - 96 bits User - 0 bits TID - 48 bits	EPC - 128 bits User - 512 bits TID - 48 bits

¹Quoted performance achieved using standard testing methodology on Aluminium test plates. Read range is dependent on multiple factors such as; RFID reader transmit power and receiver sensitivity, asset material and environment. Please see the Omni-ID On Metal User Guide for more detail.

²EPC and User memory are reprogrammable. TID is locked at point of manufacture by IC manufacturer.

³Monza R6 cannot be perma-locked using current commercially available hardware & software.

Related Products and Services

- ▶ **Omni-ID Prox NG** – Market leading, small form factor tag for mixed plastic and metal IT asset environments in global enterprises.
- ▶ **Omni-ID IQ 600** – Ultrathin label providing on metal tag functionality supplied as a roll with hassle free printing.
- ▶ **Omni-ID IQ 800P** - Large premium label for plastic assets
- ▶ **Service Bureau** – Omni-ID offers a full service bureau for printing and pre-encoding Omni-ID tags at point of manufacture.



Environmental Specifications

Operation Temperature ¹	-20 to +85°C
Max Temperature Exposure ¹	-20 to +85°C
IP Rating	IP68
Attachment	Self-adhesive suitable for curved surfaces to a minimum radius of 115mm
Certifications	RoHS approved CE approved
Printer Validation	Sato ^{2,3}
Warranty	1 year

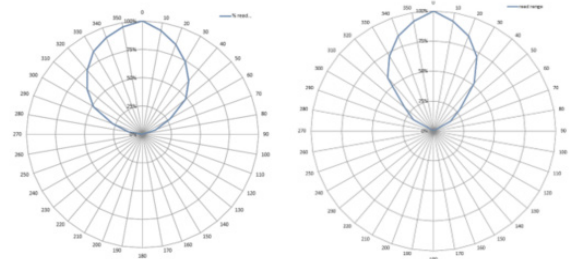
¹Excludes adhesive options, consult adhesive data sheets for recommended temperature ratings.

² Printer Validation for Standard Version - Sato CL4NX

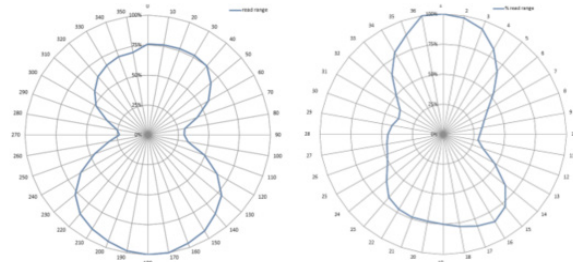
³See Omni-ID Sato NXSeries Printer Guide for details on calibrating and operation

Radiation Patterns

On Metal



On Liquid



Ordering Information

Order Numbers	125 – EU, US with Monza R6 132 – EU, US with Monza 4QT	
Options:	:303 Customization - 4 color static print :315 Overlamination :329 Without ground plane :701 (Standard Service Bureau)	
Supply Format	1000 labels per roll	
Minimum Order Quantity	R6	M4QT
Standard label	1,000 labels	10,000 labels
Service bureau	1,000 labels	10,000 labels
Customization	10,000 labels	10,000 labels
Overlamination	10,000 labels	10,000 labels

See the **Omni-ID on Metal Labels User Guide** for details on available IC & Ground Plane product options.



Authorized Reseller:
RFID4UStore
www.rfid4ustore.com
1-408-739-3500
sales@rfid4ustore.com



Omni-ID office locations: US | UK | China | India | Germany