

# Omni-ID® Fit 700 (Global)

Omni-ID's Fit 700 is a Global frequency RFID tag ideal for asset management requiring a low profile tag with high read performance. The small footprint of the Fit 700 offers greater flexibility with a broader choice of assets to tag.



## Building Intelligent Supply Chains

With its global performance, low profile, durable design the Omni-ID Fit 700 tags are ideally suited to applications such as:

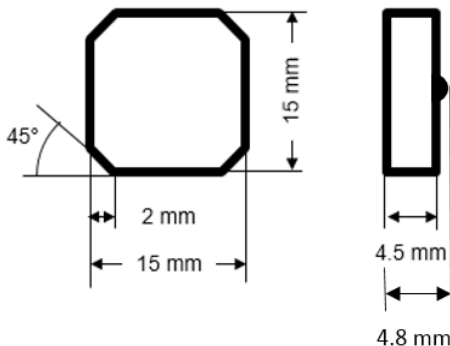
- ▶ Tool Tracking
- ▶ Weapons and military asset tracking
- ▶ Metal IT assets

## Physical Specifications

Material	Ceramic painted top and sides
Size (mm)	15 x 15 x 4.5 <sup>1</sup>
Size (in)	0.59 x 0.59 x 0.18
Weight (g)	4.8

<sup>1</sup>To Include the IC bump on the face of the tag, add 0.3 for a dimension of 4.8mm.

## Dimensions



Dimensions stated in mm

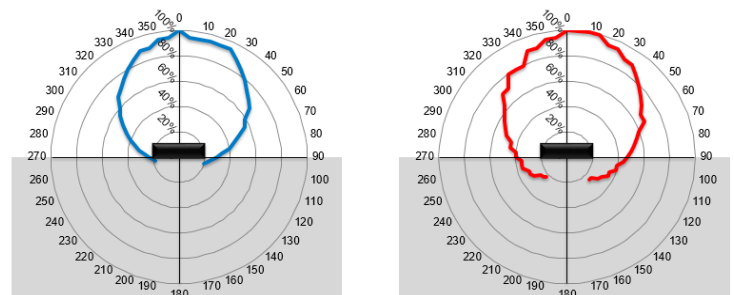
## RF Specifications

Protocol	EPC Class 1 Gen2
Frequency Range (MHz)	860-930MHz (global)
Read Range <sup>1</sup> Fixed Reader	Up to 7m (22.97ft)
Read Range Handheld	Up to 5m (16.40ft)
On Metal or Balanced	Optimized for metal
IC Type (chip)	Monza 4QT
Memory <sup>2</sup>	EPC - 128bits User - 512Kbits Unique TID - 48bits

<sup>1</sup>Quoted performance achieved using standard testing methodology. Read range will vary with reader hardware and output power.

<sup>2</sup>EPC and User memory are reprogrammable. TID is locked at point of manufacture.

## Radiation Patterns



ETSI (EU) Band

FCC (US Band)

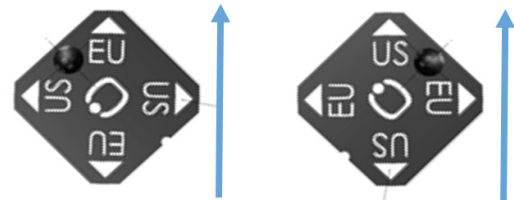


Diagram represents correct tag orientation by frequency band for use with vertically polarized linear antenna.

## Related Products and Services

- ▶ **Omni-ID Fit 200** - Low profile, on metal RFID tag optimized for application to small metal assets and for embedding.
- ▶ **Omni-ID Fit 210**- Low profile RFID tag available in both high temperature and Global frequency versions.
- ▶ **Omni-ID Fit 400** - Small footprint tags available in High Temperature and embedded versions for metal assets.
- ▶ **Service Bureau** - Omni-ID offers a full service bureau for printing and pre-encoding Omni-ID tags at point of manufacture.



### Environmental Specifications

Operation Temperature <sup>1</sup>	-20°C to +65°C
Max Temperature Exposure <sup>1</sup>	-20°C to +65°C
IP rating	IP68
Shock and Vibration <sup>2</sup>	MIL STD 810-G
Attachment	Film adhesive (included)
Certifications	RoHS approved CE approved
Warranty	1 year

1. Excludes adhesive options, consult adhesive data sheets for recommended temperature ratings.  
2. Testing methodology available on request.

### Ordering Information

Order code:	135 GS
Option codes:	:303 (Customization) :304 (ATEX/IECEx certified) :307 (US & Canada (C1D1 certified)) :701 (Standard Service Bureau)

### Certifications:



RoHS approved  
CE approved  
ATEX/IECEx certified (option)  
US & Canada (C1D1/D2) certified (option)

Omni-ID office locations: **US | UK | China | India | Germany**  
For product or technology inquiries email: [sales@omni-id.com](mailto:sales@omni-id.com)



Authorized Reseller:  
RFID4UStore  
[www.rfid4ustore.com](http://www.rfid4ustore.com)  
1-408-739-3500  
[sales@rfid4ustore.com](mailto:sales@rfid4ustore.com)