

Omni-ID® Exo 800

Omni-ID Exo 800 is long range passive UHF RFID tag capable of reading on, off, and near metal surfaces. Designed in a surprisingly small form factor, the Omni-ID Exo 800 features a rugged design for long term use in outdoor and industrial environments.

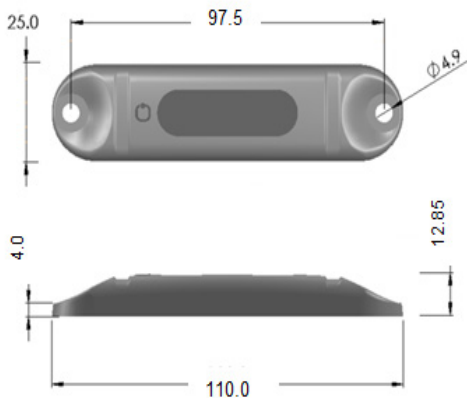
Building Intelligent Supply Chains

With a long read range and high durability, the Omni-ID Exo 800 is ideally suited to:

- ▶ Manufacturing tote tracking.
- ▶ Logistics and Postal
- ▶ Retail supply chain

Physical Specifications

Encasement	ABS Rigid Plastic
Size (mm)	110 x 25 x 12.85
Size (in)	4.33 x 0.98 x 0.51
Weight (g)	26.0



Dimensions stated in mm

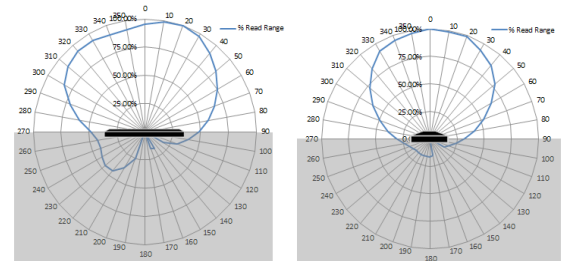
RF Specifications

Protocol	EPC Class 1 Gen2
Frequency Range (MHz)	860-940 (GS)
Read Range (Fixed reader) ¹	Up to 8.0m (on) EU & US Up to 6.0m (off) EU & US
Read Range (Handheld reader) ¹	Up to 4.0m (on) EU & US Up to 3.0m (off) EU & US
Material Compatibility	Optimized for Metal
IC Type (chip)	Impinj Monza 4QT or Alien Higgs 3
Memory ²	EPC - 96bit User - 512bits TID - 64bits

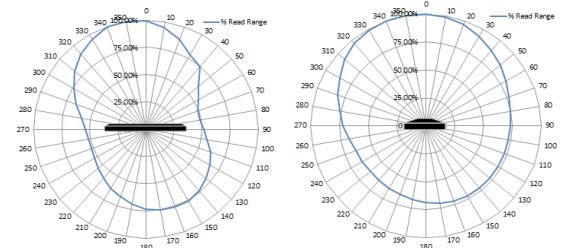
1. Quoted performance achieved using standard testing methodology. Read range will vary with reader hardware and output power.
2. EPC and User memory are reprogrammable, TID is locked at point of manufacture.

Radiation Patterns

On Metal



On Plastic



Related Products and Services

- ▶ **Omni-ID Exo 600** - High performance, global RFID tag designed to meet the diverse needs of logistics industries.
- ▶ **Omni-ID Exo 210**- Low profile, on metal RFID tag optimized for attachment to small metal assets.
- ▶ **Omni-ID Exo 750** - Extreme durability, long range and global operability in a small, square footprint, on metal RFID tag.
- ▶ **Service Bureau** - Omni-ID offers a full service bureau for printing and pre-encoding Omni-ID tags at point of manufacture.



Environmental Specifications

Storage Temperature -20 ° to +85 °C

Operation Temperature -20 ° to +85 °C




Survivability -20 ° to +85 °C

IP Rating IP68

Shock and Vibration MIL STD 810-F

Impact² 10kg from 1m

Attachment Mechanical (std)
Adhesive
Cable Tie

Certifications



 RoHS approved
 CE approved
 ATEX/IECEX certified (option)
 US&Canada (C1D1/D2) certified (option)

Warranty 3 years

1. Excludes adhesive options, consult adhesive data sheets for recommended temperature ratings.
2. Testing methodology available on request

Ordering Information

Order Numbers 077- GS
 :304 (ATEX/IECEX certified)
 :307 (US&Canada (C1D1/D2) certified)
 :701 (Standard Service Bureau)
 :702 (Custom Service Bureau)

Corporate Headquarters:

1200 Ridgeway Avenue
 Rochester, NY 14615
 585-713-1000
www.omni-id.com

European Office:

The Enterprise Centre
 Coxbridge Business Park
 Alton Road, Farnham, Surrey
 GU10 5EH, United Kingdom

Authorized Reseller:
RFID4UStore
www.rfid4ustore.com
 1-408-739-3500
sales@rfid4ustore.com



Asian Office:

Sunyoung Center
 Room 1308, Unit B
 28 XuanHua Rd
 Shanghai, China 205002

For product or technology inquiries email:

sales@omni-id.com

Omni-ID office locations: US | UK | China | India | Southeast Asia

For product or technology inquiries email: sales@omni-id.com