

Omni-ID® Adept 400

Designed for use in very harsh environments, the Omni-ID Adept 400 is ideal for attachment to pipes and fixed assets in remote production, extraction, and processing industrial facilities. Capable of surviving heavy impact from a sledge hammer, the Adept 400 can be attached with either a steel band or welded for long term field use.

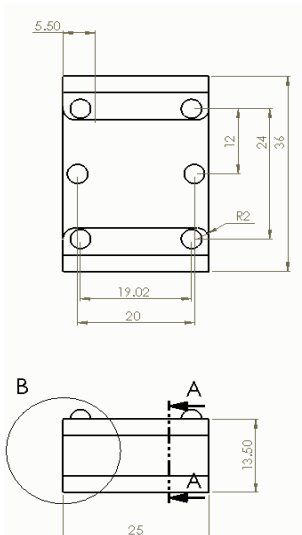
Building Intelligent Supply Chains

Designed for easy strap or adhesive attachment, the Omni-ID Adept 400 is perfect for industrial applications requiring high impact resistance, including MRO applications for:

- ▶ Piping
- ▶ Valves
- ▶ Processing Equipment

Physical Specifications

Encasement	Stainless Steel
Size (mm) (tolerance)	36 x 25 x 13.5 (+/-1.0)
Size (in) (tolerance)	1.42 x 0.98 x 0.53 (+/-0.04)
Weight (g)	58.0



Dimensions stated in mm

RF Specifications

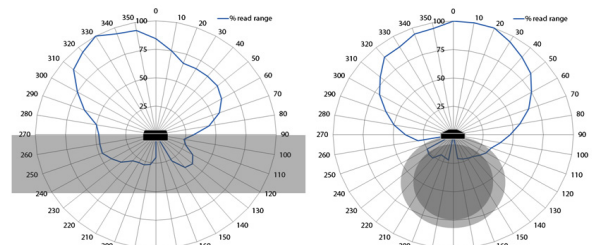
Protocol	EPC Class 1 Gen2
Frequency Range (MHz)	866-868 (EU) 902-928 (US)
Read Range (Fixed reader) ¹	Up to 3m (9.8ft) EU Up to 4.5m (14.7ft) US
Read Range (Handheld reader) ¹	Up to 1.2m (3.9ft) EU Up to 1.8m (5.9ft) US
Material Compatibility	Optimized for Metal substrates
IC Type (chip)	Alien Higgs 3
Memory ²	EPC - 96bits User - 512bits TID - 64bits

1. Quoted performance achieved using standard testing methodology. Read range will vary with reader hardware and output power.

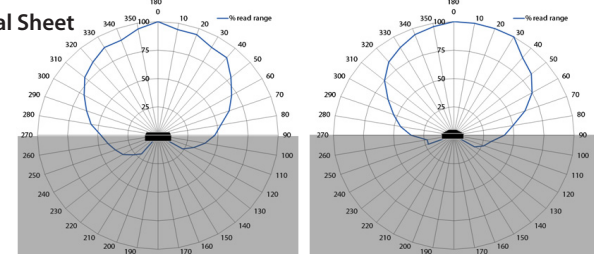
2. EPC and User memory are reprogrammable, TID is locked at point of manufacture.

Radiation Patterns

On Pipe



On Metal Sheet



Related Products and Services:

- ▶ **Omni-ID Dura 600** - High performance global RFID tag designed to meet the diverse needs of logistics industries.
- ▶ **Omni-ID Adept 360°** - Extremely durable, high performance tether tag with 360° read angle for heavy industry applications.
- ▶ **Omni-ID Exo 750** - Global, long range on-metal RFID tag, in a small, square footprint, .
- ▶ **Service Bureau** - Omni-ID offers a full service bureau for printing and pre-encoding tags at point of manufacture.



Environmental Specifications

Operating Temperature	-20°C to +85°C
Long term Max Temperature ¹ exposure - (days,weeks,years)	+120°C
Short term Max Temperature ¹ exposure - (minutes,hours)	+150°C
Thermal Cycling Exposure	-20°C to +65°C or 0°C to +85°C
IP Rating	IP68
Shock and Vibration	MIL STD 810 F
Impact ²	Resistant to face strike with sledgehammer
Attachment	Steel strap or welded For the low profile version, epoxy or welded
Certifications	RoHS approved CE approved ATEX/IECEX certified (option) US&Canada (C1D1/D2) certified (option)
Warranty	1 year

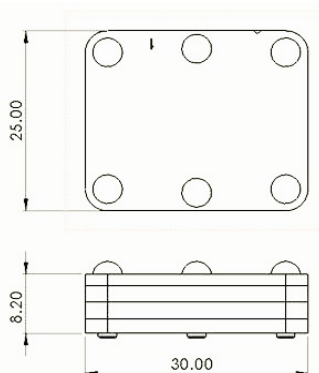
1. Excludes adhesive options, consult adhesive data sheets for recommended temperature ratings.

2. Testing methodology available on request

Ordering Information

Order Numbers	080- US, EU :523 *Low Profile without wrap for band attachment :304 (ATEX/IECEX certified) :307 (US&Canada (C1D1/D2) certified) :701 (Standard Service Bureau) :702 (Custom Service Bureau)
---------------	--

*Low Profile, 4 layer option



Weight = 35g



Dimensions stated in mm

Authorized Reseller:
RFID4UStore
www.rfid4ustore.com
1-408-739-3500
sales@rfid4ustore.com

RFID4U
Store

Omni-ID office locations: US | UK | China | India | Southeast Asia

For product or technology inquiries email: sales@omni-id.com

