

### ABOUT TIMES-7

Pushing the boundaries of RFID technology worldwide Times-7 are leaders in RFID antenna design and manufacture. Our patented award winning UHF antennas meet the needs of virtually any industry application; providing customers with fast accurate tracking of products, assets & people; empowering organizations to transform processes & reduce costs.

Our SlimLine range of antennas is unique in the RFID industry; offering high levels of performance & durability in an aesthetically superior form. Proven in a diverse & growing range of markets, applications include: retail & customer interaction, conference & people tracking, race timing, baggage handling, and logistic & supply chain asset management.

**RFID4u**  Authorized Reseller:  
RFID4UStore  
[www.rfid4ustore.com](http://www.rfid4ustore.com)  
1-408-739-3500  
[sales@rfid4ustore.com](mailto:sales@rfid4ustore.com)

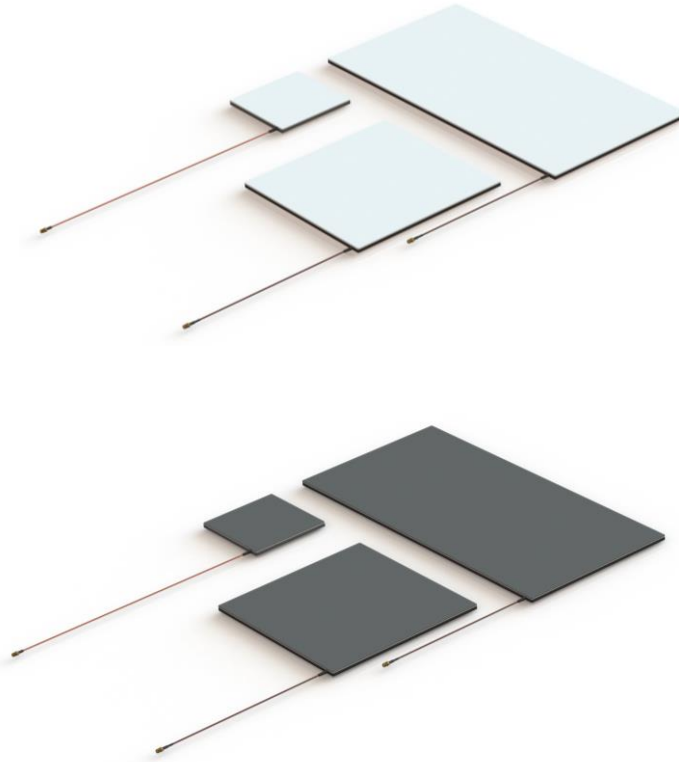
Times-7 Research Ltd  
29 Railway Avenue  
Lower Hutt 5010  
New Zealand

NEW ZEALAND  
P: +64 4 974 6566

USA/CANADA  
P: +1 408 769 5025

E: [info@times-7.com](mailto:info@times-7.com)

[www.times-7.com](http://www.times-7.com)



Offers *True* NearField read zones

Available in three different sizes from compact to very large

No surface dead zones

Black or white radome available

A1115, A1130 and A1163 *True* NearField antennas available in black and white.

The new *True* NearField Antenna Series is explicitly designed for applications, which require “near zone only” tag detection or involve metals, liquid and other challenging materials. With hardly any far-field components and no surface dead spots, the Times-7 *True* NearField antennas provide reliable tag reads within a very constricted read zone.

Thanks to the unique antenna design the *True* NearField antenna series offers three dimensions. From a compact 150 x 150 mm to a large 300 x 600 mm footprint. Furthermore, they are available in black or white.

All three antennas provide integrated mounting holes on the rear side, which can be drilled through for using mounting screws. In addition, each antenna is provided with an optional self-adhesive rubber feet kit to stop the antenna from slipping.

### Specifications

#### Physical / Environmental Specifications

	A1115	A1130	A1163
Dimensions (L x W x D):	150 mm x 150 mm x 8.6 mm 5.9" x 5.9" x 0.34"	300 mm x 300 mm x 8.6 mm 11.8" x 11.8" x 0.34"	600 mm x 300mm x 8.6mm 23.6" x 11.8" x 0.34"
Weight:	0.2kg / 0.45 lbs	0.6kg / 1.3 lbs	1.1kg / 2.4 lbs
Radome Material:	Fire retardant ABS (available in black and white, see order information)		
Environmental Rating:	IP54		
Operating Temperature:	0° to +50°C / -30° to +50°C		
Storage Temperature:	+32° to +122°F / -22° to +122°F		
Mounting:	Integrated mounting holes on the backside of the antenna (refer to mechanical drawings) / Optional rubber feet included (20 x 20 x 1.45 mm)		
Connector and cable type:	SMA female side fly lead (482mm, 19" / RG316 cable)		
Cable strain relief:	Cable grommet included		

#### Electrical Specifications

	A1115	A1130	A1163
Frequency Range:	865-867 MHz, 902-928 MHz		
VSWR	1.95 typical		
Nominal Impedance:	50 Ω		
Maximum Input Power:	3 W		
Antenna Detection	10K Ω Resistance		
Anti-static protection	DC Grounded		

### Ordering Information

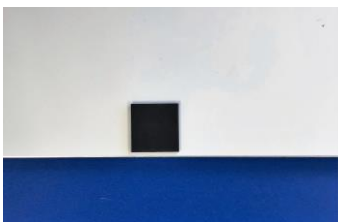
(please quote both product code & part no.)

Product Code	Band	Part No. BLACK	Part No. WHITE
A1115	ETSI 865-867 MHz	72027	72029
A1115	FCC 902-928 MHz	72028	72030
A1130	ETSI 865-867 MHz	72022	72025
A1130	FCC 902-928 MHz	72023	72026
A1163	ETSI 865-867 MHz	72031	72033
A1163	FCC 902-928 MHz	72032	72034
Cable Accessories	Cable Type	Part No.	
Cable 2 m, SMA to RPTNC	LMR 195 / 240 / 400	71436 / 71782 / 72042	N/A
Cable 4 m, SMA to RPTNC	LMR 240 / 400	71784 / 72043	N/A
Cable 6 m, SMA to RPTNC	LMR 240 / 400	71904 / 72044	N/A
Cable 8 m, SMA to RPTNC	LMR 240 / 400	71788 / 72045	N/A

### Mounting Information



Integrated mounting hole.

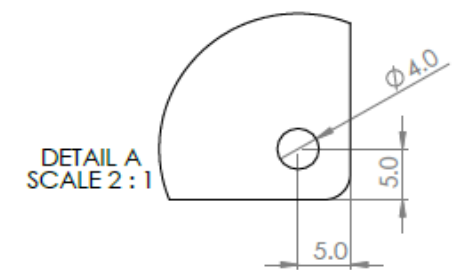
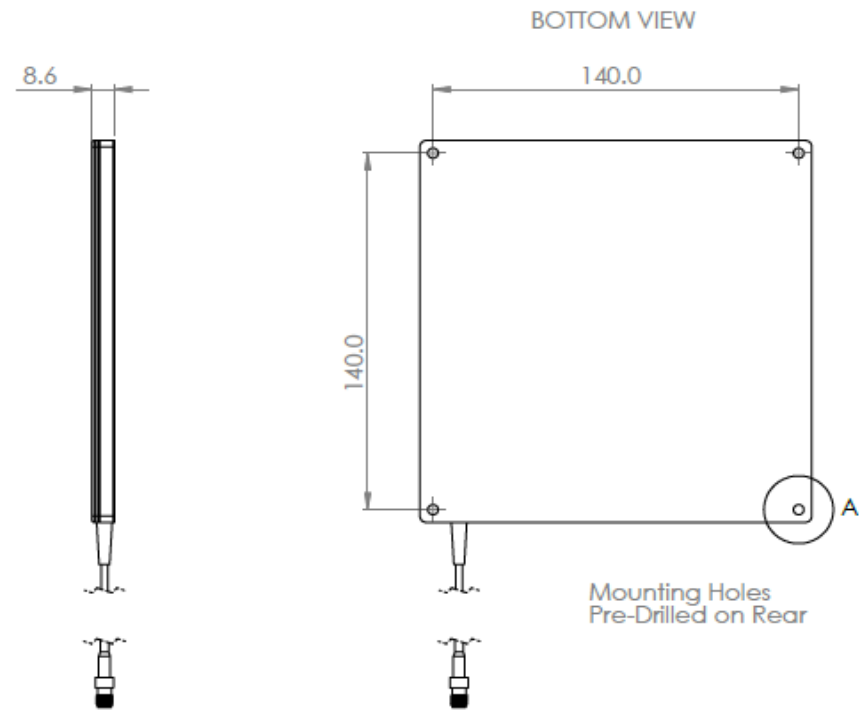
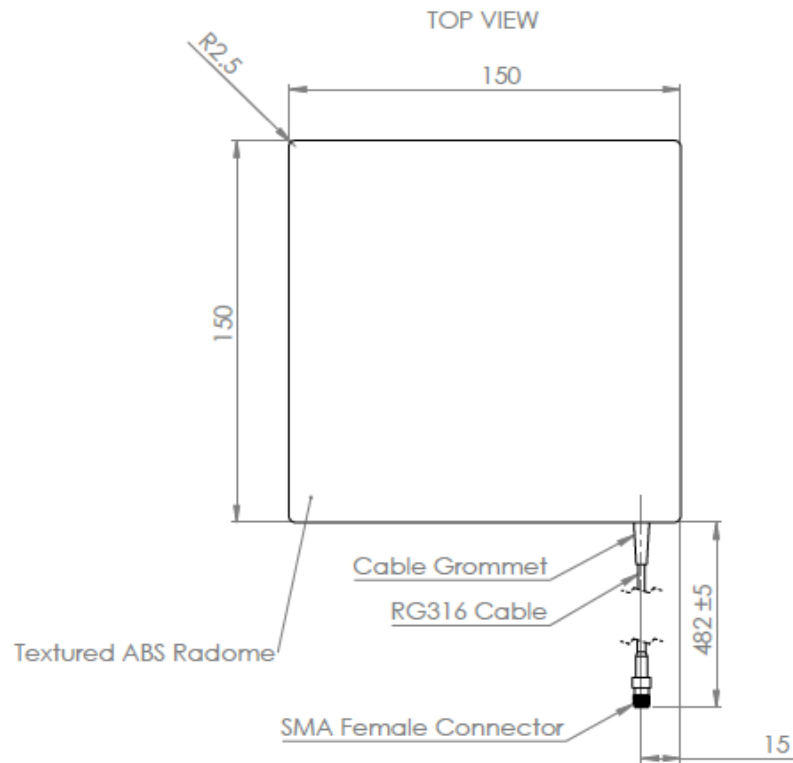


Self-adhesive rubber feet.

All models of the *True-NearField* antenna series can be flush mounted on flat surfaces using mounting screws. Each antenna provides mounting holes, which are only visible on the rear side of the antenna. Please refer to the mechanical drawings for the exact position.

These holes can be drilled through without damaging the product or interfering with the performance. For further assistance please go to our [mounting guide](#).

If drilling through the surface of the antenna is not an option, each antenna is provided with a self-adhesive rubber feet kit. These can be attached over the integrated mounting holes to stop the antenna from slipping.



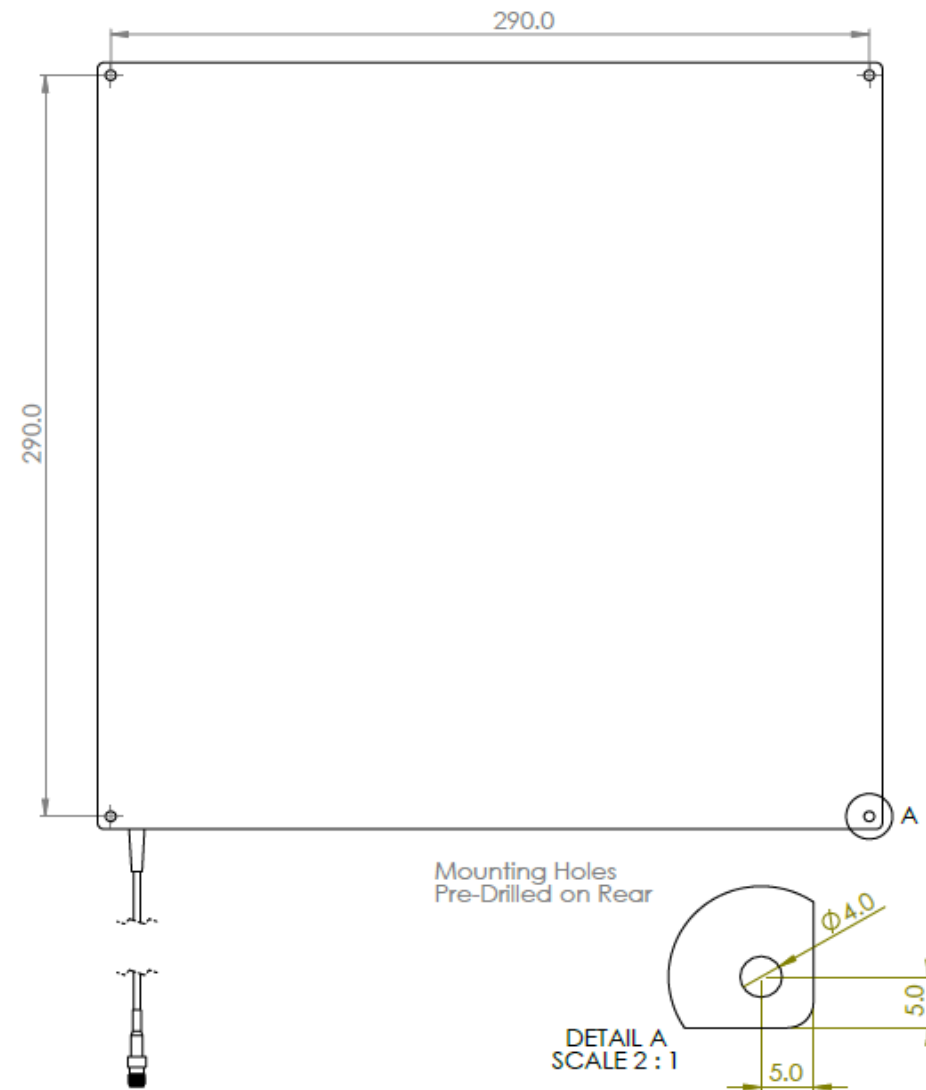
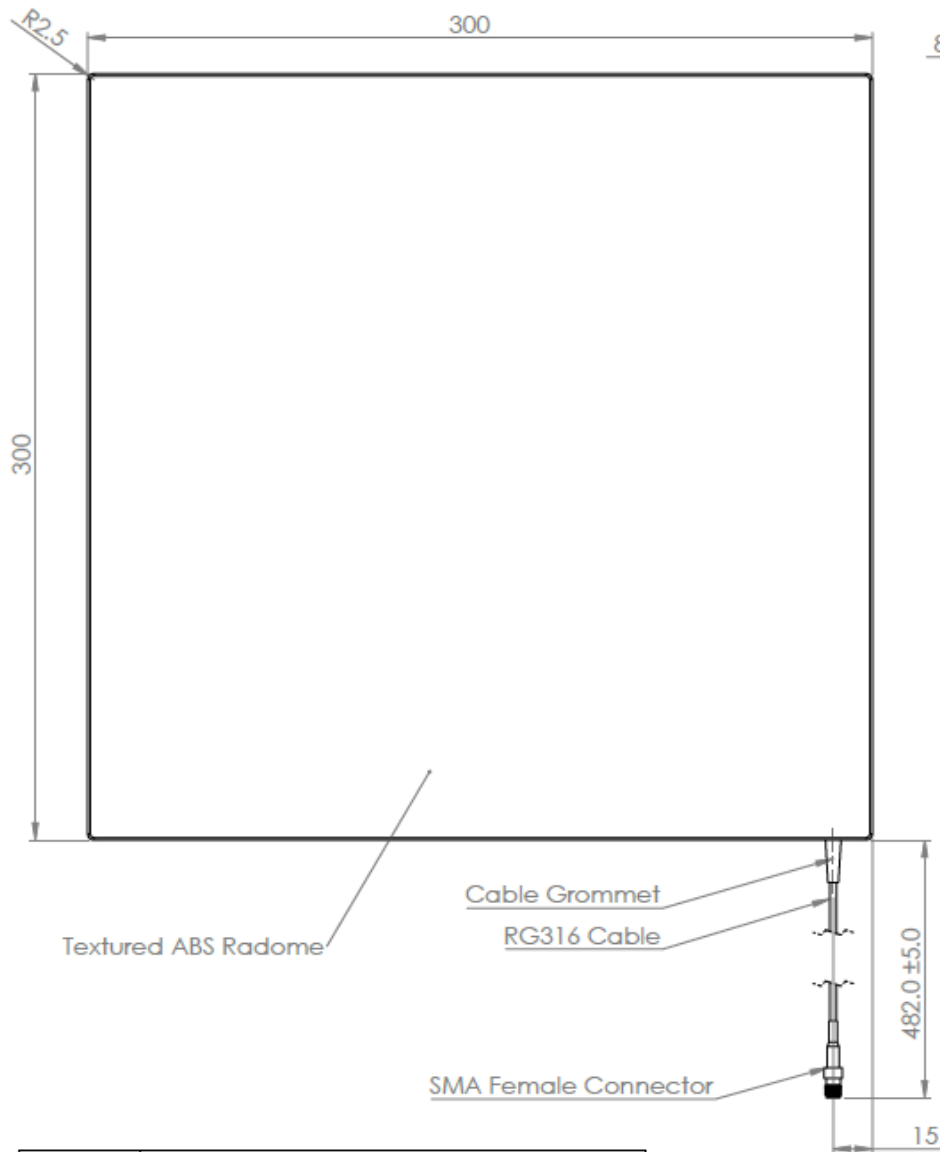
Part No.	Description
72027-FG	A1115 Antenna ETSI - BLACK
72028-FG	A1115 Antenna FCC - BLACK
72029-FG	A1115 Antenna ETSI - WHITE
72030-FG	A1115 Antenna FCC - WHITE

<small>THE INFORMATION CONTAINED IN THIS DRAWING IS THE SOLE PROPERTY OF TIMES-7 LTD. ANY REPRODUCTION IN PART OR AS A WHOLE WITHOUT THE WRITTEN PERMISSION OF TIMES-7 IS PROHIBITED.</small>	<small>DIMENSIONS ARE IN mm UNLESS OTHERWISE SPECIFIED TOLERANCES: NO DECIMAL PLACES ± 1 ONE PLACE DECIMAL ± 0.5</small>		DESCRIPTION		
			A1115 Near Field Antenna		
DRAWN C Wilson	SIGNATURE 	DATE 28/03/2019	SIZE <b>A3</b>	PART NO. See Table	REV <b>A</b>
APPROVED R Lopez	SIGNATURE 	DATE 01/04/2019	DO NOT SCALE DRAWING		SHEET 1 OF 1

Mechanical Drawing A1130

TOP VIEW

BOTTOM VIEW



Part No.	Description
72022-FG	A1130 Antenna ETSI - BLACK
72023-FG	A1130 Antenna FCC - BLACK
72025-FG	A1130 Antenna ETSI - WHITE
72026-FG	A1130 Antenna FCC - WHITE

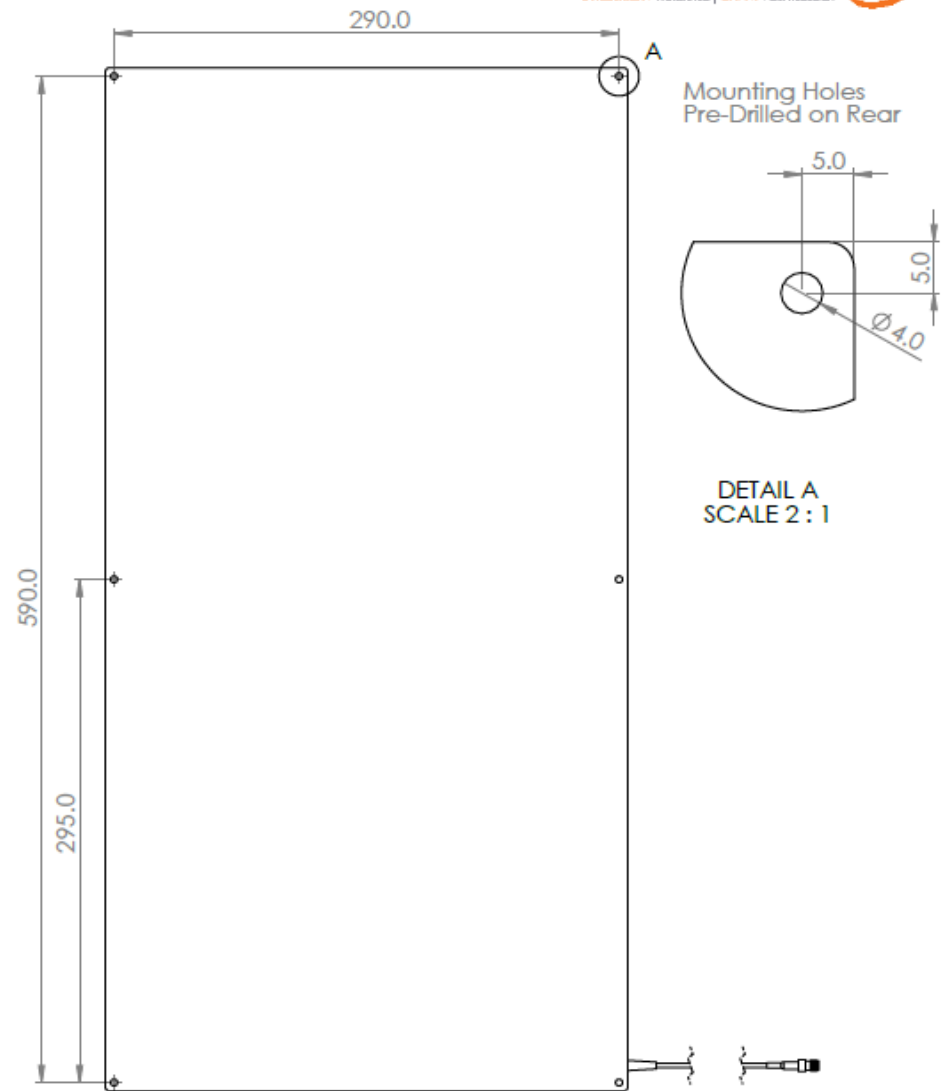
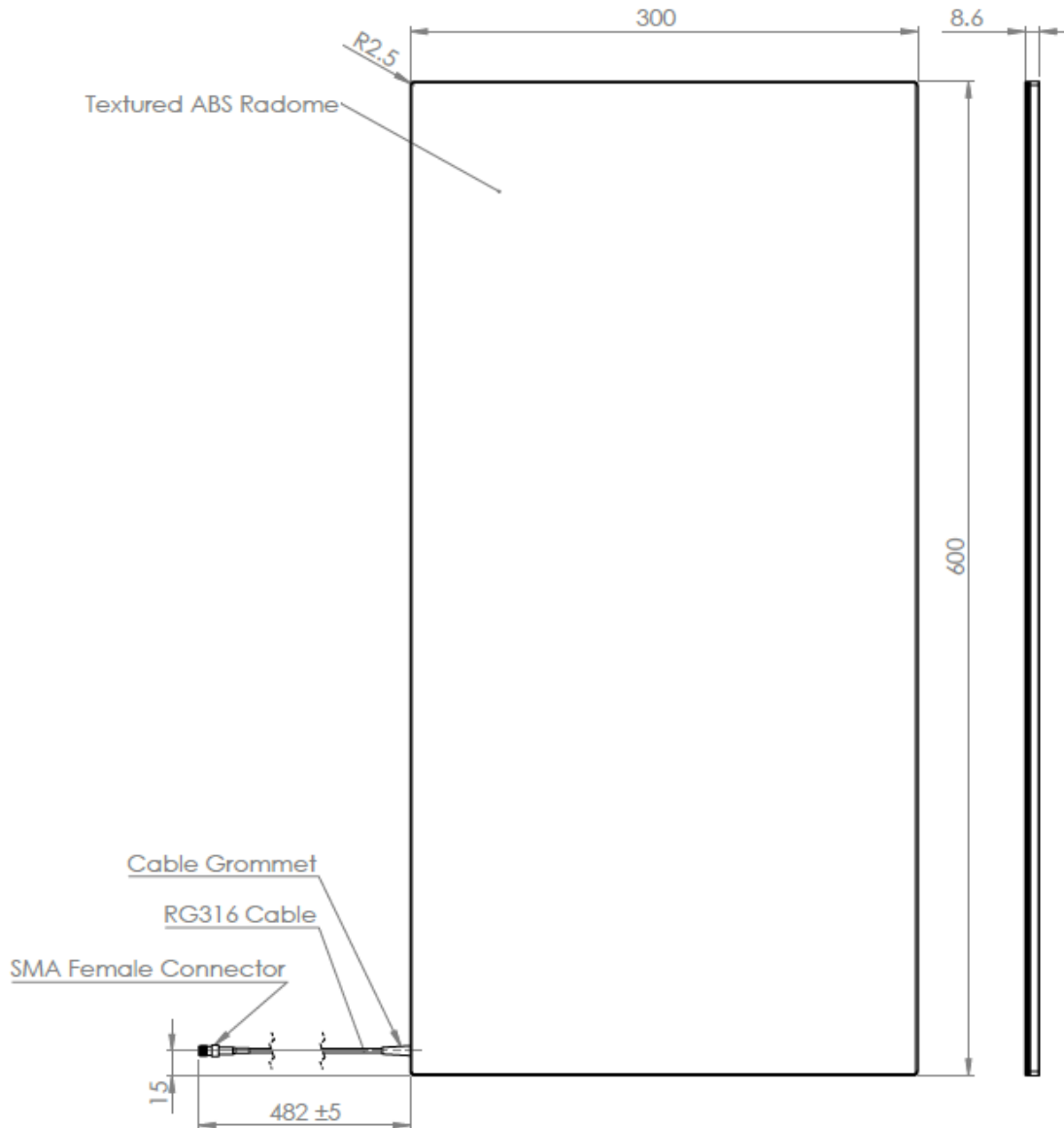
<p>THE INFORMATION CONTAINED IN THIS DRAWING IS THE SOLE PROPERTY OF TIMES-7 LTD. ANY REPRODUCTION IN PART OR AS A WHOLE WITHOUT THE WRITTEN PERMISSION OF TIMES-7 IS PROHIBITED.</p>	<p>DIMENSIONS ARE IN mm UNLESS OTHERWISE SPECIFIED TOLERANCES: ONE PLACE DECIMAL <math>\pm 0.5</math> TWO PLACE DECIMAL <math>\pm 0.05</math></p>		DESCRIPTION		
			A1130 Near Field Antenna		
<p>DRAWN C Wilson</p>	<p>SIGNATURE <i>C Wilson</i></p>	<p>DATE 28/03/2019</p>	<p>SIZE <b>A3</b></p>	<p>PART NO. See Table</p>	<p>REV <b>A</b></p>
<p>APPROVED R Lopez</p>	<p>SIGNATURE <i>R Lopez</i></p>	<p>DATE 01/04/2019</p>	DO NOT SCALE DRAWING		SHEET 1 OF 1

# Mechanical Drawing A1163



TOP VIEW

BOTTOM VIEW



Part No.	Description
72031-FG	A1163 Antenna ETSI - BLACK
72032-FG	A1163 Antenna FCC - BLACK
72033-FG	A1163 Antenna ETSI - WHITE
72034-FG	A1163 Antenna FCC - WHITE

<small>THE INFORMATION CONTAINED IN THIS DRAWING IS THE SOLE PROPERTY OF TIMES-7 LTD. ANY REPRODUCTION IN PART OR AS A WHOLE WITHOUT THE WRITTEN PERMISSION OF TIMES-7 IS PROHIBITED.</small>	<small>DIMENSIONS ARE IN mm UNLESS OTHERWISE SPECIFIED TOLERANCES: ONE PLACE DECIMAL ± 0.5 TWO PLACE DECIMAL ± 0.05</small>		DESCRIPTION		
			A1163 Near Field Antenna		
DRAWN C Wilson	SIGNATURE <i>C Wilson</i>	DATE 28/03/2019	SIZE <b>A3</b>	PART NO. See Table	REV <b>A</b>
APPROVED R Lopez	SIGNATURE <i>R Lopez</i>	DATE 01/04/2019	DO NOT SCALE DRAWING		SHEET 1 OF 1

### Applications



#### Metal and liquids

True NearField antennas are ideal for applications which involve metal or liquids. Using their magnetic RF field only they are not affected by the side effects of these challenging materials and provide consistent read ranges and reliable tag reads.



#### POS

Using a near-field antenna for POS systems is a great way to reduce the time identifying each item at the check-out counter. An NF antenna can instantly and correctly identify all items that are placed on the antenna so long as the items are tagged appropriately while avoiding stray reads by passing items.



#### Shelving

The close proximity read range of near field antennas used in shelving applications allows for tracking items on each individual shelf avoiding stray reads in adjacent shelves or items which are passing by. This allows for a more defined and focused read area, in which you gain visibility over the items that you want to track.

Authorized Reseller:  
**RFID4u** Store  
[www.rfid4ustore.com](http://www.rfid4ustore.com)  
 1-408-739-3500  
[sales@rfid4ustore.com](mailto:sales@rfid4ustore.com)

The technical data contained in this publication is not a guarantee for which Times-7 Research Ltd assumes legal accountability. It is indicative of typical performance, and if required should be relied on for specific applications only after due verification.

All technical data, specifications and other information contained herein are deemed to be the proprietary intellectual property of Times-7 Research Ltd. No reproduction, copy or use thereof may be made without the express written consent of Times-7 Research Ltd.

#### OUR GLOBAL NETWORK

Constantly increasing market reach and influence in the global RFID industry, Times-7's international support spans The Americas, Europe, and Asia Pacific regions through our distributor, authorized reseller and integrated solutions provider network.

Times-7 Research Ltd  
 29 Railway Avenue  
 Lower Hutt 5010  
 New Zealand

NEW ZEALAND  
 P: +64 4 974 6566

USA/CANADA  
 P: +1 408 769 5025

E: [info@times-7.com](mailto:info@times-7.com)

[www.times-7.com](http://www.times-7.com)