



MT-262010/TRLH/A/K  
902-928 MHz, 8 dBic DUAL RHCP+LHCP READER ANTENNA



#### ELECTRICAL

REGULATORY COMPLIANCE	RoHS, CE 0682
FREQUENCY RANGE	902 - 928 MHz
GAIN	8 dBic (min)
VSWR	1.5 : 1 (max) 1.3 : 1 ( typ)
POLARIZATION	DUAL RHCP+LHCP
3DB ELEVATION BEAMWIDTH	60° (typ)
3DB AZIMUTH BEAMWIDTH	70°(typ)
SIDELOBES LEVEL @ ± 90°	-10 dB (max)
F/B RATIO	-18 dB (max) -20 dB (typ)
PORT TO PORT ISOLATION	-35 dB (min)
POWER	6W (max)
INPUT IMPEDANCE	50 (ohm)
AXIAL RATIO AT BORESIGHT	3 dB (typ) , 4 dB (max)
LIGHTNING PROTECTION	DC Grounded
MECHANICAL	
DIMENSIONS (LXWXD)	500X200x30 mm (max)
CONNECTOR	2 x TNC Female Reverse polarity
WEIGHT	1.5 (kg) (max)
MOUNTING KIT	SEE RD41191800C
RADOME MATERIAL	Plastic UV Resistant per ETSI 300
BASE PLATE MATERIAL	Aluminum with chemical conversion coating
OUTLINE DRAWING	RD41972200C
ORIENTATION	Rectangular

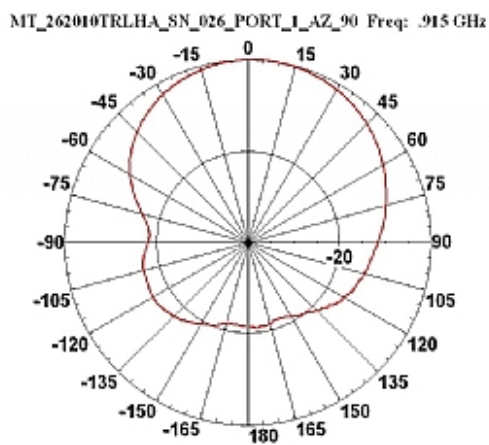
[ADD TO COMPARISON](#) | [COMPARE](#)

#### ENVIRONMENTAL

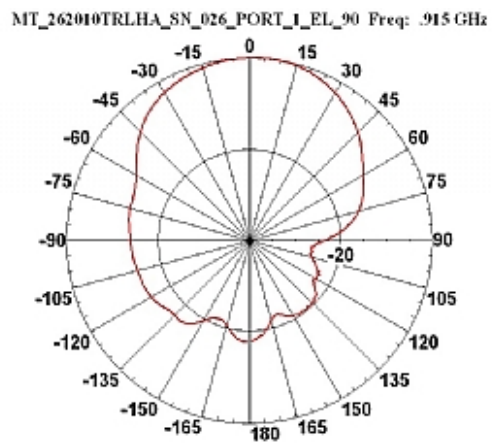
TEST	STANDARD	DURATION	TEMPERTURE	NOTES
------	----------	----------	------------	-------

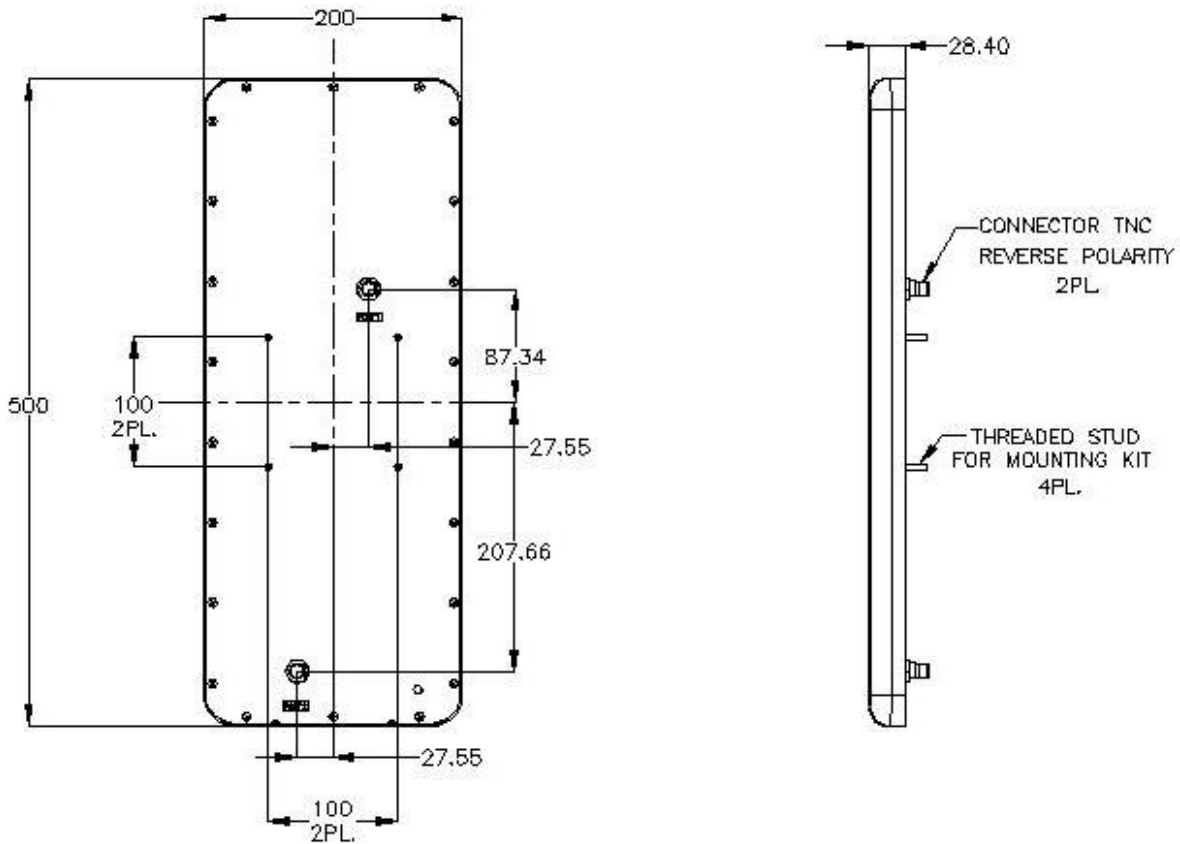
LOW TEMPERATURE	IEC 68-2-1	72 h	-55°C	
HIGH TEMPERATURE	IEC 68-2-2	72 h	+71°C	
TEMP. CYCLING	IEC 68-2-14	1 h	-45°C +70°C	3 Cycles
THERMAL SHOCK NONO-OPERATING			-30°C to+70°C	Ramp 30°C/min
HUMIDITY	ETSI EN300-2-4 T4.1E	144 h		95%
WATER TIGHTNESS	IEC 529			IP54
DUST RESISTANCE				IP54
SOLAR RADIATION	ASTM G53	1000h		
OZONE RESISTANCE	ETSI 300			
FLAMMABILITY	UL 94			Class HB
QUASI RANDOM VIBRATION				20g rms for 4 hours
VEHICLE VIBRATION OPERATING	1 grms, 10-500 Hz, in 3 axis			6 hours total, 2 hr in each axis. Accelerated wear – an additional 50hrs in worst case axis.
MECHANICAL SHOCK OPERATING	10g, 11msec, half sine pulse			

AZIMUTH RADIATION PATTERN MIDBAND  
FREQ. 0.915 GHZ



ELEVATION RADIATION PATTERN MIDBAND  
FREQ. 0.915 GHZ





WAIVER!

While the information contained in this document has been carefully compiled to the best of our present knowledge, it is not intended as presentation or warranty of any kind on our part regarding the fitness of the products concerned for any particular use or purpose and neither shall any statement contained herein be construed as a recommendation to infringe any industrial property rights or as a license to use any such rights. The fitness of each product for any particular purpose must be checked beforehand with our specialists.

**MTI Wireless Edge Ltd.**  
11 Hamelacha St. Afek Industrial Park Rosh Ha'ayin 48091, Israel  
Tel: +972-3-9008900 | Fax: +972-3-9008901 | [www.mtiwe.com](http://www.mtiwe.com)



Authorized Reseller:  
RFID4UStore  
[www.rfid4ustore.com](http://www.rfid4ustore.com)  
1-408-739-3500  
[sales@rfid4ustore.com](mailto:sales@rfid4ustore.com)