



## MT-262006/TRH/A/K 902-928 MHz, 9 dBic RHCP READER ANTENNA



### ELECTRICAL

REGULATORY COMPLIANCE	RoHS, CE 0682
FREQUENCY RANGE	902 - 928 MHz
GAIN	9dBic (min) , 9dBil (max)
VSWR	1.3:1 (max)
POLARIZATION	RHCP
3DB ELEVATION BEAMWIDTH	63° (typ)
3DB AZIMUTH BEAMWIDTH	63° (typ)
SIDELOBES LEVEL @ ± 90°	-16 dB (max)
F/B RATIO	-18 dB (max) -20 dB (typ)
POWER	6W (max)
INPUT IMPEDANCE	50 (ohm)
AXIAL RATIO AT BORESIGHT	4 dB (max)
LIGHTNING PROTECTION	DC Grounded
<b>MECHANICAL</b>	
DIMENSIONS (LXWXD)	305x305x25mm (max)
CONNECTOR	Reverse Polarity TNC Female
WEIGHT	1.2 kg (max)
MOUNTING KIT	SEE RD41191800C
RADOME MATERIAL	Plastic UV Resistant per ETSI 300
BASE PLATE MATERIAL	Aluminum with chemical conversion coating
OUTLINE DRAWING	RD41880300C
ORIENTATION	Rectangular

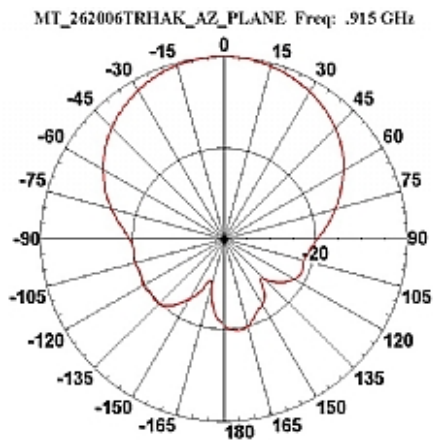
[ADD TO COMPARISON](#) | [COMPARE](#)

### ENVIRONMENTAL

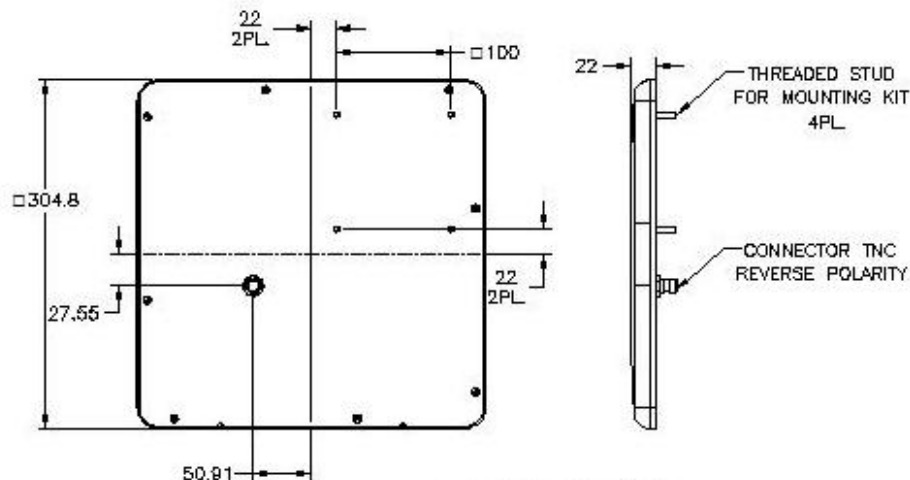
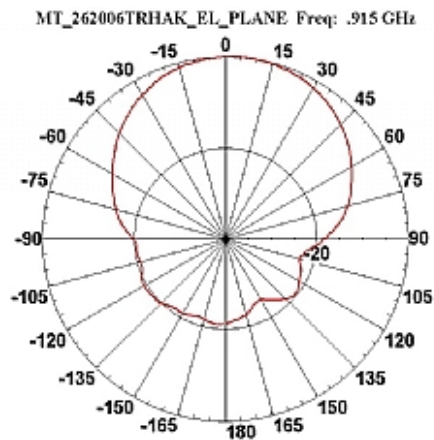
TEST	STANDARD	DURATION	TEMPERTURE	NOTES
LOW TEMPERATURE	IEC 68-2-1	72 h	-55°C	
HIGH TEMPERATURE	IEC 68-2-2	72 h	+71°C	
TEMP. CYCLING	IEC 68-2-14	1 h	-45°C +70°C	3 Cycles
THERMAL SHOCK NONO-OPERATING			-30°C to+70°C	Ramp 30°C/min
HUMIDITY	ETSI EN300-2-4 T4.1E	144 h		95%
WATER TIGHTNESS	IEC 529			IP67
DUST RESISTANCE				IP67

<b>SOLAR RADIATION</b>	ASTM G53	1000h
<b>OZONE RESISTANCE</b>	ETSI 300	
<b>FLAMMABILITY</b>	UL 94	Class HB
<b>SALT SPRAY</b>	IEC 68-2-1 Ka	500 h
<b>ICE AND SNOW</b>		25 mm Radial
<b>WIND SPEED SURVIVAL OPERATION</b>		220 Kh/m 160 Kh/m
<b>WIND LOAD (SURVIVAL) : FRONT THRUST SIDE THRUST</b>		28.6 Km 2.2 Km
<b>QUASI RANDOM VIBRATION</b>		20g rms for 4 hours
<b>VEHICLE VIBRATION OPERATING</b>	1 grms, 10-500 Hz, in 3 axis	6 hours total, 2 hr in each axis. Accelerated wear – an additional 50hrs in worst case axis.
<b>MECHANICAL SHOCK OPERATING</b>	10g, 11msec, half sine pulse	

**AZIMUTH RADIATION PATTERN MIDBAND FREQ. 0.915 GHZ**



**ELEVATION RADIATION PATTERN MIDBAND FREQ. 0.915 GHZ**



**WAIVER!**

While the information contained in this document has been carefully compiled to the best of our present knowledge, it is not intended as presentation or warranty of any kind on our part regarding the fitness of the products concerned for any particular use or purpose and neither shall any statement contained herein be construed as a recommendation to infringe any industrial property rights or as a license to use any such rights. The fitness of each product for any particular purpose must be checked beforehand with our specialists.

**MTI Wireless Edge Ltd.**

**11 Hamelacha St. Afek Industrial Park Rosh Ha'ayin 48091, Israel**  
**Tel: +972-3-9008900 | Fax: +972-3-9008901 | [www.mtiwe.com](http://www.mtiwe.com)**

Authorized Reseller:  
RFID4UStore  
[www.rfid4ustore.com](http://www.rfid4ustore.com)  
1-408-739-3500  
[sales@rfid4ustore.com](mailto:sales@rfid4ustore.com)

