



MT – 242062/CLH 865-870 MHz & 902-928 MHz 7.5dBic LHCP SLIM READER ANTENNA



ELECTRICAL

REGULATORY COMPLIANCE	RoHS, CE 0682
FREQUENCY RANGE	865-870 & 902-928 MHz
GAIN	8.0 ± 1.0 dBic
VSWR	1.5 :1 (typ) , 2 : 1(max)
POLARIZATION	LHCP
3DB ELEVATION BEAMWIDTH	40° (typ)
3DB AZIMUTH BEAMWIDTH	65° (typ)
F/B RATIO	-18 dB (typ)
POWER	6W (max)
INPUT IMPEDANCE	50 (ohm)
AXIAL RATIO	2 dB (typ) , 4 dB (max)
LIGHTNING PROTECTION	DC Grounded
MECHANICAL	
DIMENSIONS (LXWXD)	480 x 310 x 16 mm (max)
CONNECTOR	SMA Female with cable (length 300 mm)
WEIGHT	1.1 kg (max)
RADOME MATERIAL	Plastic
MTBF	80000 hours
BASE PLATE MATERIAL	Metallic
OUTLINE DRAWING	RD43349400C

[ADD TO COMPARISON](#) | [COMPARE](#)

ENVIRONMENTAL

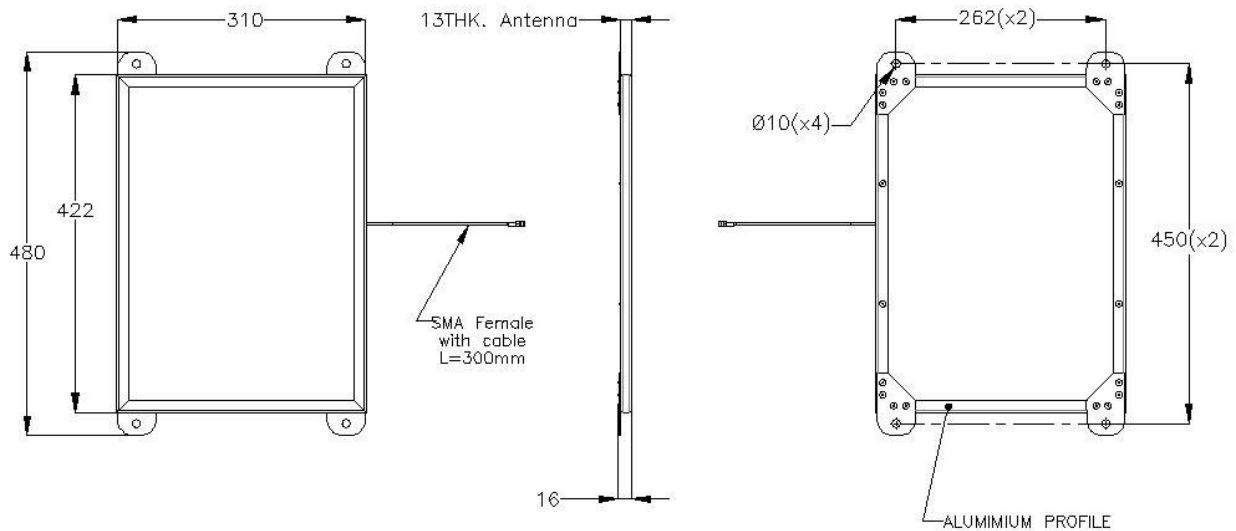
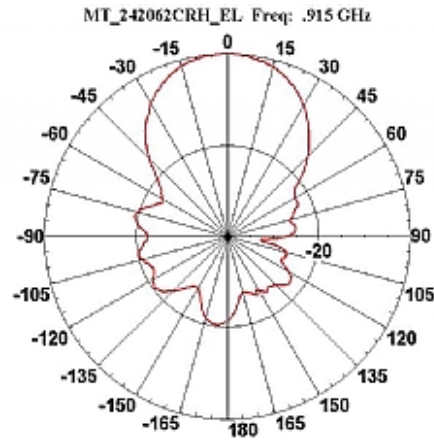
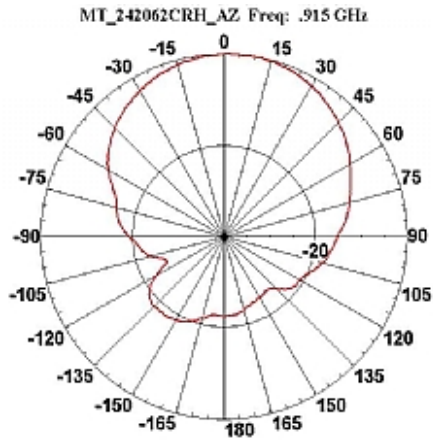
TEST	STANDARD	DURATION	TEMPERATURE	NOTES
LOW TEMPERATURE	IEC 68-2-1	72 h	-40°C	
HIGH TEMPERATURE	IEC 68-2-1	72 h	+71°C	
TEMP. CYCLING	IEC 68-2-14	1 h	-45°C +70°C	3 Cycles
HUMIDITY	ETSI EN300-2-4 T4.1E	144 h		95%
WATER TIGHTNESS	IEC 529			IP54
FLAMMABILITY	UL 94			Class HB
VIBRATION	IEC 60721-3-4	30 min/axis		Random 4M3
MECHANICAL SHOCK	IEC 60721-3-4			4M3
OPERATION TEMPERATURE	-10 °C to 50°C			
STORAGE TEMPERATURE	-30°C to +70°C			

[AZIMUTH RADIATION PATTERN MIDBAND](#)

[ELEVATION RADIATION PATTERN MIDBAND](#)

FREQ. 0.915 GHZ

FREQ. 0.915 GHZ



WAIVER!

While the information contained in this document has been carefully compiled to the best of our present knowledge, it is not intended as presentation or warranty of any kind on our part regarding the fitness of the products concerned for any particular use or purpose and neither shall any statement contained herein be construed as a recommendation to infringe any industrial property rights or as a license to use any such rights. The fitness of each product for any particular purpose must be checked beforehand with our specialists.

MTI Wireless Edge Ltd.
 11 Hamelacha St. Afek Industrial Park Rosh Ha'ayin 48091, Israel
 Tel: +972-3-9008900 | Fax: +972-3-9008901 | www.mtiwe.com

RFID4u
 Authorized Reseller:
 RFID4UStore
 www.rfid4ustore.com
 1-408-739-3500
 sales@rfid4ustore.com