



MT-242043/TRH/A/K 865 - 956 MHz, 8.5 dBic RHCP READER ANTENNA



ELECTRICAL

REGULATORY COMPLIANCE	RoHS, CE 0682
FREQUENCY RANGE	865 - 956 MHz
GAIN	7.5 dBic (min) , 8.5 dBic (max) @ 865-870 MHz 8.5 dBic (min) , 9.5 dBic (max) @ 902-928 MHz 7.5dBic (min) , 9.0 dBic (max) @ 950-956 MHz
VSWR	1.2:1 (typ) 1.35 : 1(max)
POLARIZATION	RHCP
3DB ELEVATION BEAMWIDTH	65° (typ)
3DB AZIMUTH BEAMWIDTH	65° (typ)
F/B RATIO	-18 dB (max)
POWER	6W (max)
INPUT IMPEDANCE	50 (ohm)
AXIAL RATIO	865-870 MHz @ 2.5 dB (max) 902-928 MHz @ 1dB(typ) 1.5 dB (max) 950-956 MHz @ 3.0 dB (max)
LIGHTNING PROTECTION	DC Grounded
MECHANICAL	
DIMENSIONS (LXWXD)	305x305x25mm (max)
CONNECTOR	TNC JACK Reverses Polarity
WEIGHT	1.2 kg (max)
MOUNTING KIT	RD41191800C , MT-120018
RADOME MATERIAL	Plastic
BASE PLATE MATERIAL	Aluminum with chemical conversion coating
OUTLINE DRAWING	RD43072500C

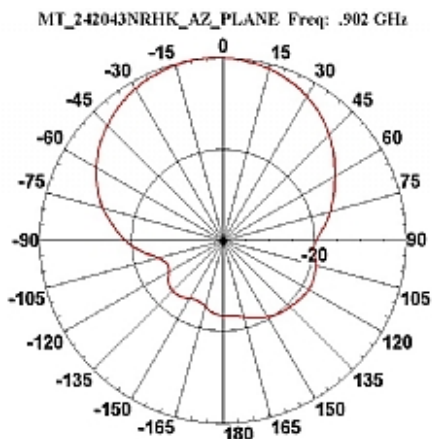
[ADD TO COMPARISON](#) | [COMPARE](#)

ENVIRONMENTAL

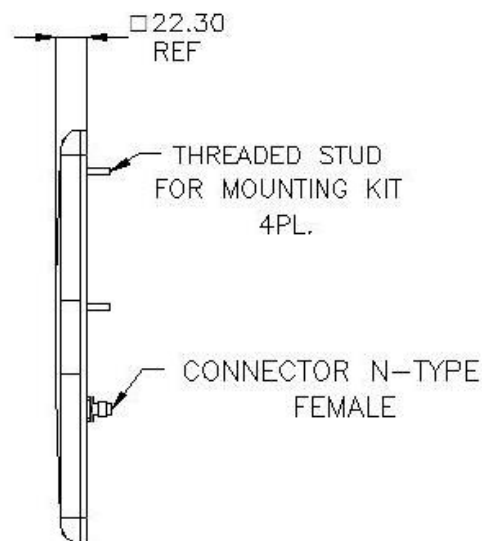
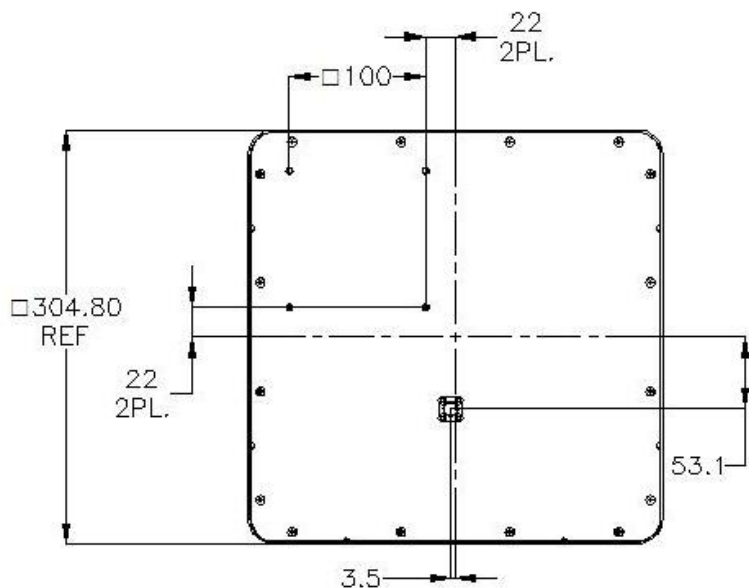
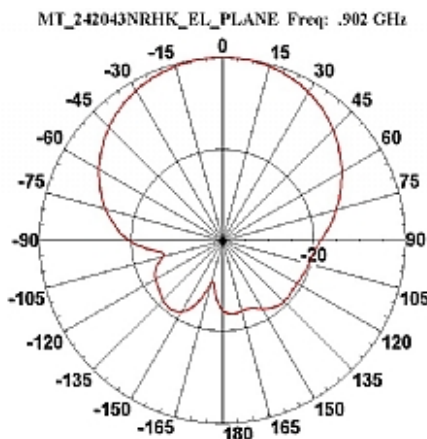
TEST	STANDARD	DURATION	TEMPERTURE	NOTES
LOW TEMPERATURE	IEC 68-2-1	72 h	-55°C	
HIGH TEMPERATURE	IEC 68-2-2	72 h	+71°C	
TEMP. CYCLING	IEC 68-2-14	1 h	-45°C +70°C	3 Cycles
VIBRATION	IEC 60721-3-4	30 min/axis		Random4M5
SHOCK MECHANICAL	IEC 60721-3-4			4M5
HUMIDITY	ETSI EN300-2-4 T4.1E	144 h		95%
WATER TIGHTNESS	IEC 529			IP67
SOLAR RADIATION	ASTM G53	1000h		

FLAMMABILITY	UL 94	Class HB
SALT SPRAY	IEC 68-2-11 Ka	168 h
ICE AND SNOW		25mm Radial
WIND SPEED SURVIVAL OPERATION		220 Km/h 160 Km/h
WIND LOAD (SURVIVAL) FRONT THRUST SIDE THRUST		26.8 kg 2.2 kg

**AZIMUTH RADIATION PATTERN MIDBAND
FREQ. 0.902 GHZ**



**ELEVATION RADIATION PATTERN MIDBAND
FREQ. 0.902 GHZ**



WAIVER!

While the information contained in this document has been carefully compiled to the best of our present knowledge, it is not intended as presentation or warranty of any kind on our part regarding the fitness of the products concerned for any particular use or purpose and neither shall any statement contained herein be construed as a recommendation to infringe any industrial property rights or as a license to use any such rights. The fitness of each product for any particular purpose must be checked beforehand with our specialists.

MTI Wireless Edge Ltd.
 11 Hamelacha St. Afek Industrial Park Rosh Ha'ayin 48091, Israel
 Tel: +972-3-9008900 | Fax: +972-3-9008901 | www.mtiwe.com

Authorized Reseller:
 RFID4UStore
 www.rfid4ustore.com
 1-408-739-3500
 sales@rfid4ustore.com