



MT-242025/NRH/K
865 - 956 MHz, 7.5dBic READER ANTENNA



ELECTRICAL

REGULATORY COMPLIANCE	RoHS, CE 0682
FREQUENCY RANGE	865 - 956 MHz
GAIN	865-870 MHz @ 7 dBic (min) 902-928 MHz @ 7.5 dBic (min) 950-956 MHz @ 6.5 dBic (min)
VSWR	1.2:1 (typ) 1.35 : 1(max)
POLARIZATION	RHCP
3DB ELEVATION BEAMWIDTH	72° (typ)
3DB AZIMUTH BEAMWIDTH	74° (typ)
F/B RATIO	-18 dB (max)
POWER	6W (max)
INPUT IMPEDANCE	50 (ohm)
AXIAL RATIO AT BORESIGHT	865-870 MHz @ 3 dB (max) 902-928 MHz @ 1.3 dB (max) 950-956 MHz @ 2.5 dB (max)
LIGHTNING PROTECTION	DC Grounded
MECHANICAL	
DIMENSIONS (LXWXD)	190 x 190 x 30mm (max)
CONNECTOR	N-Type Female
WEIGHT	0.8 (Kgs) (max)
MOUNTING KIT	SEE RD41191800C, MT-120018/A
RADOME MATERIAL	Plastic
BASE PLATE MATERIAL	Aluminum with chemical conversion coating
OUTLINE DRAWING	RD42881300C

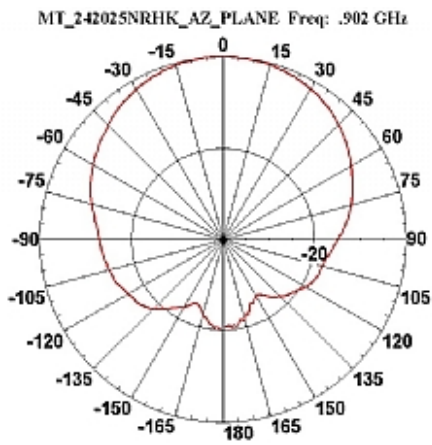
ADD TO COMPARISON | COMPARE

ENVIRONMENTAL

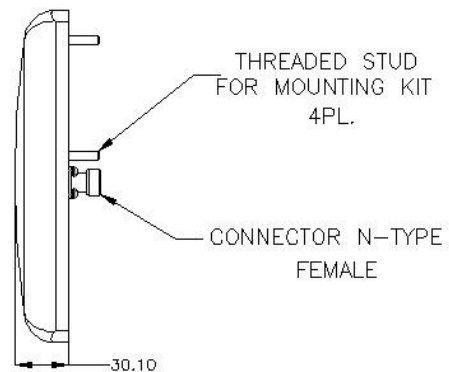
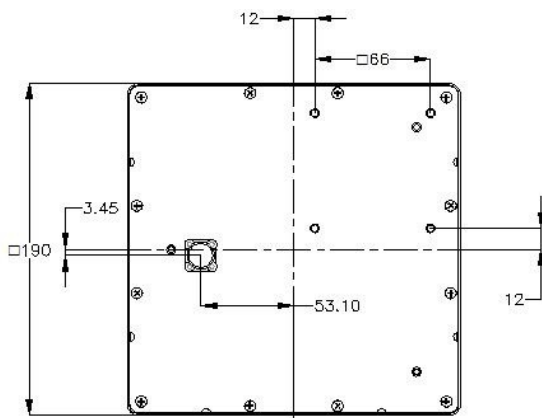
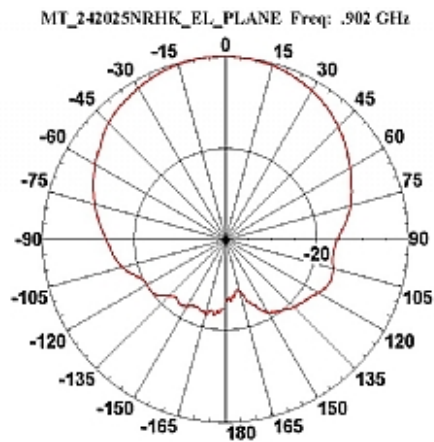
TEST	STANDARD	DURATION	TEMPERATURE	NOTES
LOW TEMPERATURE	IEC 68-2-1	72 h	-55°C	
HIGH TEMPERATURE	IEC 68-2-2	72 h	+71°C	
TEMP. CYCLING	IEC 68-2-14	1 h	-45°C +70°C	3 Cycles
THERMAL SHOCK NONO- OPERATING			-30°C to+70°C	Ramp 30°C/min
HUMIDITY	ETSI EN300-2-4 T4.1E	144 h		95%

WATER TIGHTNESS	IEC 529	IP67
DUST RESISTANCE		IP67
SOLAR RADIATION	ASTM G53	1000h
OZONE RESISTANCE	ETSI 300	
FLAMMABILITY	UL 94	Class HB
QUASI RANDOM VIBRATION		20g rms for 4 hours
VEHICLE VIBRATION OPERATING	1 grms, 10-500 Hz, in 3 axis	6 hours total, 2 hr in each axis. Accelerated wear – an additional 50hrs in worst case axis.
MECHANICAL SHOCK OPERATING	10g, 11msec, half sine pulse	

AZIMUTH RADIATION PATTERN MIDBAND FREQ. 0.902 GHZ



ELEVATION RADIATION PATTERN MIDBAND FREQ. 0.902 GHZ



WAIVER!

While the information contained in this document has been carefully compiled to the best of our present knowledge, it is not intended as presentation or warranty of any kind on our part regarding the fitness of the products concerned for any particular use

or purpose and neither shall any statement contained herein be construed as a recommendation to infringe any industrial property rights or as a license to use any such rights. The fitness of each product for any particular purpose must be checked beforehand with our specialists.

MTI Wireless Edge Ltd.

11 Hamelacha St. Afek Industrial Park Rosh Ha'ayin 48091, Israel
Tel: +972-3-9008900 | Fax: +972-3-9008901 | www.mtiwe.com



Authorized Reseller:
RFID4UStore
www.rfid4ustore.com
1-408-739-3500
sales@rfid4ustore.com