

ABOUT TIMES-7

We are a high-tech company specializing in the design and manufacture of RAIN (UHF) RFID antennas. Founded in 2006, Times-7 has developed the largest portfolio of fixed RAIN RFID reader antennas. Based in Lower Hutt, New Zealand we export all over the world through an authorized network.

Times-7 antennas are famous for their quality and performance.

In addition to our world-class products and in-depth expertise, our customers appreciate Times-7's customer service and technical support. We are responsive in supporting a large global customer base and ensuring the success of our customer's implementations.

Times-7 Research Ltd
10 Te Puni Street
Lower Hutt 5012
New Zealand

NEW ZEALAND
P: +64 4 974 6566

USA/CANADA
P: +1 408 769 5025

E: sales@times-7.com

www.times-7.com



The SlimLine™ A4030C

Up to 6 m / 19 ft. read range

Just 12 mm / 0.5 in. thick

Versatile & compact with superb aesthetics

Seamless installation using rear connector

Part of the SlimLine™ range of multi-purpose antennas, the A4030C is a high performance circularly polarized UHF antenna suitable for a wide range of RFID deployments. With a read range of up to 6 m / 19 ft., and dimensions of only 280 mm / 11 in. square, the A4030C is an extremely versatile and compact antenna. A rear connector provides for ease of seamless installation with no visible cable.

Order Information

Ordering Information (please quote product code, band / cable type & part no.)

*Antenna Product Code	Band	Part No.
A4030C	ETSI 865-868 MHz	71269
A4030C	FCC 902-928 MHz	71270
Mounting Accessory Product Code		Part No.
Mounting Plate (A4030C/L)	ETSI and FCC	72094
Cable Accessories Product Code	Cable Type	Part No.
Cable 2 m, SMA to RPTNC	T7 195 / 240 / 400	71436 / 71782 / 72042
Cable 4 m, SMA to RPTNC	T7 240 / 400	71784 / 72043
Cable 6 m, SMA to RPTNC	T7 240 / 400	71904 / 72044
Cable 8 m, SMA to RPTNC	T7 240 / 400	71788 / 72045

*Built in New Zealand. ROHS & CE compliant.

View the Times-7 Cable Accessory datasheet [here](#)

Specifications

Physical / Environmental Specifications

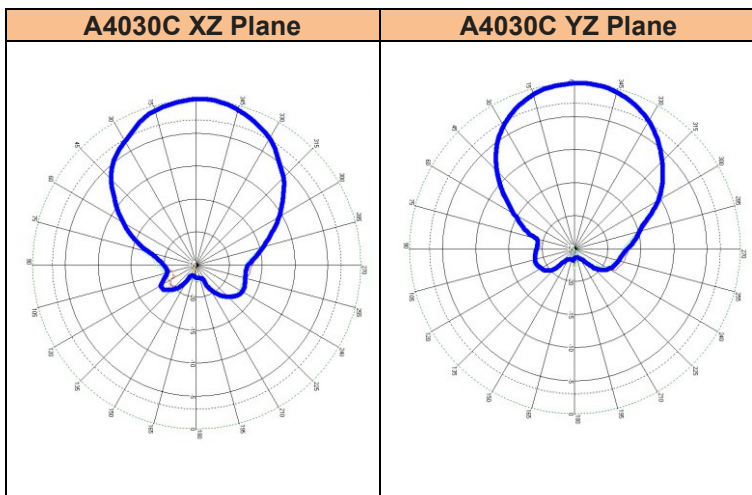
Dimensions unboxed: Length (x) x Width (y) x Depth (z)	280 mm x 280 mm x 12.2 mm 11.02" x 11.02" x 0.48"
Boxed unit dimensions (L x W x D)	335 mm x 315 mm x 35 mm 13.19" x 12.40" x 1.38"
Weight:	Net: 0.74 kg / 1.63 lbs. Gross: 0.94 kg / 2.07 lbs.
Radome Material:	Fire retardant ABS
Environmental Rating:	IP65
Operating / Storage Temperature:	-20° to +55°C / -30° to +65°C -4° to +131°F / -22° to +149°F
Connector type / position:	SMA female / Rear connector

Electrical Specifications

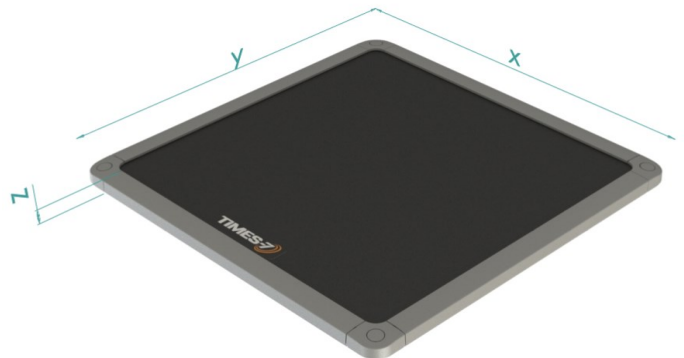
Electrical Specifications

Frequency Range:	865-868 MHz / 902-928 MHz
Polarisation:	RHCP (Right Hand Circular Polarisation)
Far-field Gain:	6.5 dBiC typical
Far-field 3 dB beamwidth: *	60° in both planes
VSWR	1.4 typical
Front to back ratio:	26 dB
Axial Ratio:	2 dB typical
Nominal impedance:	50 Ω
Anti-static protection:	Yes, DC grounded
Antenna detection	10 K Ω resistance
Maximum Input Power:	3 W

Radiation Pattern



Azimuth Planes



Application examples for the A4030C

Inventory Management

The A4030C is a rugged antenna meaning it is ideal for asset tracking and encoding RFID tags. This antenna has a typical read range distance of 6m allowing manufacturers, wholesalers and retailers, for example, to track their inventory throughout the supply chain, from the warehouse shelves all the way to the sales floor.



Logistics & Supply Chain

The A4030C antenna can be used to accurately count, correct, and track all individual items and cartons across the supply chain. This starts in the factory where items are tagged at source, goes on to the distribution center where orders are sorted and finally sent out to stores.



Retail / POS self service

The A4030C can easily be deployed in space constrained environments such as retail. With its superb aesthetics and compact design, the A4030C antenna blends well into the retail back drop.



Mounting Information

Bracket mount

The Times-7 Mounting Plate for the A4030 is designed to support VESA brackets (100 x 100 mm) with installation simplicity in mind. Our mounting brackets cater for both interior and exterior mounting requirements under all environmental conditions.

For exact dimension, please refer to the mechanical drawings on page 6. For instructions on how to attach the bracket to the antenna please click [here](#).



Installation Instructions

The recessed corner mounting holes of the A4030 supports 100 x 100mm VESA spaced mounting brackets as shown above. The innovative slim design of the A4030C, equipped with an SMA connector, allows for totally flush mounting using the corner holes.

Caution:

- Ensure that only finger tightness is used for the SMA connector.
- Use of tools to tighten the connector will apply excessive force and will damage the connector.
- Avoid any load or bending force from the cable on the connector.

GLOBAL SUPPORT

In addition to our world-class products and in-depth expertise, Times-7 is known for their quality of customer service and technical support. We place emphasis on our responsiveness in supporting a large global customer base and ensuring the success of our customer's implementations.



Authorized Reseller: RFID4UStore
www.rfid4ustore.com
1-408-739-3500

Times-7 Research Ltd
10 Te Puni Street
Lower Hutt 5012
New Zealand

NEW ZEALAND
P: +64 4 974 6566

NORTH AMERICA
P: +1 408 769 5025

E: sales@times-7.com

www.times-7.com

The technical data contained in this publication is not a guarantee for which Times-7 Research Ltd assumes legal accountability. It is indicative of typical performance, and if required should be relied on for specific applications only after due verification.

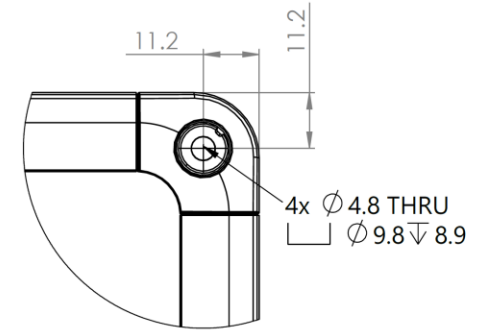
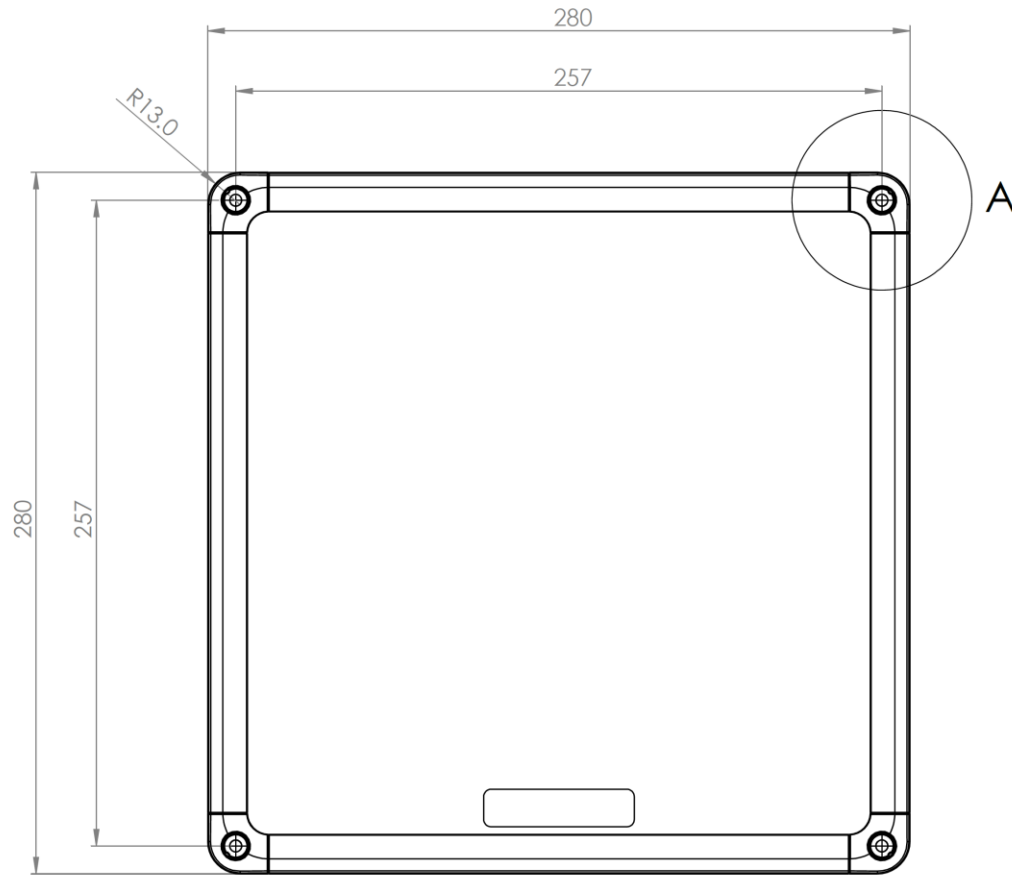
All technical data, specifications and other information contained herein are deemed to be the proprietary intellectual property of Times-7 Research Ltd. No reproduction, copy or use thereof may be made without the express written consent of Times-7 Research Ltd.

Times-7, and the stylized T-7 Antennas logo are trademarks or registered trademarks of Times-7 Research Ltd. All other trademarks are the property of their respective owners.

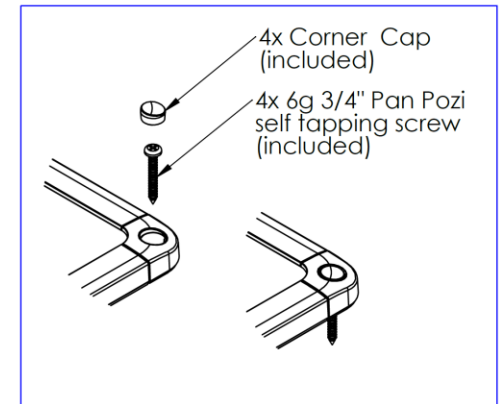
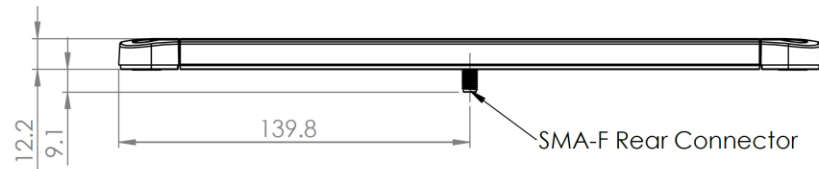
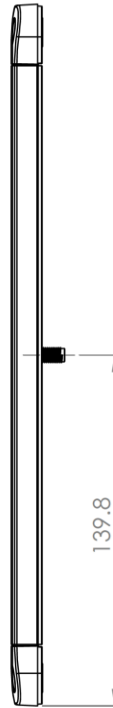
© 2022 Times-7 Research Ltd. All rights reserved. Specifications are subject to change without notice.

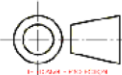
Datasheet v2.1

Mechanical Drawing for the A4030C



DETAIL A
SCALE 1 : 1



<small>THE INFORMATION CONTAINED IN THIS DRAWING IS THE SOLE PROPERTY OF TIMES-7 LTD. ANY REPRODUCTION IN PART OR AS A WHOLE WITHOUT THE WRITTEN PERMISSION OF TIMES-7 IS PROHIBITED.</small>	<small>DIMENSIONS ARE IN mm</small> <small>UNLESS OTHERWISE SPECIFIED TOLERANCES:</small> <small>NO DECIMAL PLACES ± 1</small> <small>ONE PLACE DECIMAL ± 0.5</small>		DESCRIPTION
	DRAWN C Wilson APPROVED R Lopez	SIGNATURE <i>C Wilson</i> SIGNATURE <i>R Lopez</i>	DATE 06/06/2019 DATE 11/06/2019
			REV B SHEET 1 OF 1

Mechanical Drawing for the A4030C/L Mounting Plate

