

ABOUT TIMES-7

specializing in the design and manufacture of RAIN (UHF) RFID antennas. Founded in 2006, Times-7 has developed the largest portfolio of fixed RAIN RFID reader antennas. Based in Lower Hutt, New Zealand we export all over the world through an authorized network.

Times-7 antennas are famous for their quality and performance.

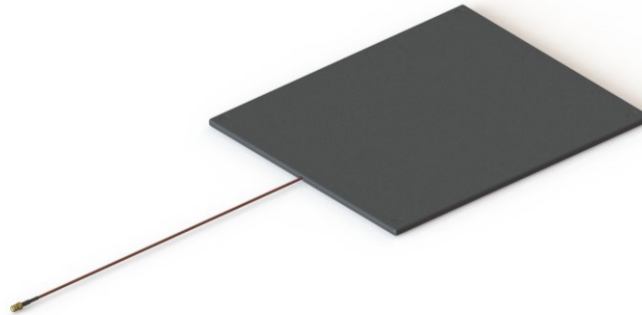
In addition to our world-class products and in-depth expertise, our customers appreciate Times-7's customer service and technical support. We are responsive in supporting a large global customer base and ensuring the success of our customer's implementations.

Times-7 Research Ltd
10 Te Puni Street
Lower Hutt 5012
New Zealand
P: +64 4 974 6566

USA | CANADA
P: +1 408 769 5025

E: sales@times-7.com

www.times-7.com



The A1030 NearField Antenna

Ultra-low profile NearField antenna

Just 7.1 mm / 0.25 in thick

Typical applications: Jewelry, Libraries, Retail POS, Pharmacy & Healthcare

Part of the SlimLine range of proximity / near-field antennas, and with its ultra-low profile and unique size / surface design, the A1030 is a world first for the UHF near field antenna market.

At just 7.1 mm / 0.25 in. thick, the A1030 is opening new possibilities for item level RFID tracking where a short-range read is required. The A1030 antenna offers outstanding near field performance in a unique and optimized footprint, improving workflow and eliminating stray tag-reads.

With flexible and easy mounting options and with a fire-retardant ABS radome, the A1030 is a strong performer - and packs a sizeable punch in the world of UHF antennas.

Order Information

(please quote product code, band / cable type & part no.)

*Antenna Product Code	Band	Part No.
A1030	ETSI 865-867 MHz	71583
A1030	FCC 902-928 MHz	71585
Cable Accessories Product Code	Cable Type	Part No.
Cable 2 m, SMA to RPTNC	T7195 / 240 / 400	71436 / 71782 / 72042
Cable 4 m, SMA to RPTNC	T7240 / 400	71784 / 72043
Cable 6 m, SMA to RPTNC	T7 240 / 400	71904 / 72044
Cable 8 m, SMA to RPTNC	T7 240 / 400	71788 / 72045

*Built in New Zealand. ROHS & CE compliant.

View the Times-7 Cable Accessory datasheet [here](#)

Specifications

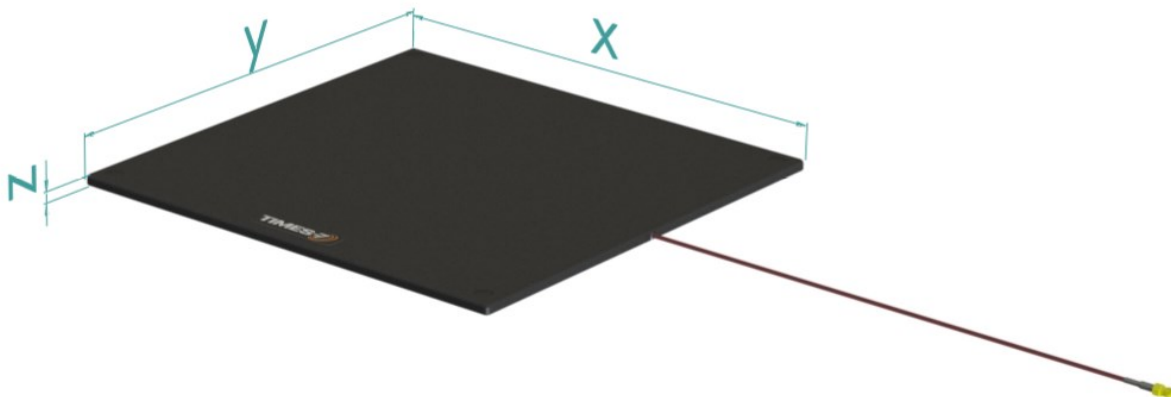
Physical / Environmental Specifications

Dimensions unboxed: Length (x) x Width (y) x Depth (z)	300 mm x 300 mm x 7.1 mm 11.8" x 11.8" x 0.35"
Boxed unit dimension: (L x W x D)	335 mm x 315 mm x 35 mm 11.8" x 12.4" x 1.4"
Weight:	Net: 0.553 kg / 1.22 lbs. Gross: 0.183 Kg / 0.4 lbs.
Radome Material:	Fire retardant ABS
Environmental Rating:	IP53
Operating / Storage Temperature:	0° to +50°C / -30° to +60°C +32° to +122°F / -22° to +140°F
Mounting:	Integrated mounting guides on the rear
Connector type:	SMA female
Cable type / length:	RG316 / (340 mm / 1')

Electrical Specifications

Frequency Range:	865-867 MHz, 902-928 MHz
VSWR	1.8 typical
Nominal Impedance:	50 Ω
Maximum Input Power:	3 W
Anti-static protection:	Yes, DC grounded
Antenna detection	10 K Ω resistance

Azimuth Planes



Installation Instructions

- Ensure that only finger tightness is used for the SMA connector. Use of tools to tighten the connector will apply excessive force and will damage the connector.
- Attach the cable to the SMA connector in such a way that no bending force is imparted on the connector by the cable.

Mounting Information

The A1030 antenna has 4 pre-drilled mounting holes on the rear side, which can be drilled through without damaging the antenna. For the exact position please refer to the mechanical drawings. For further instructions please click [here](#).

Applications

Jewelry:

Jewelry is a high-value product, and it is easy to be stolen. With the A1030 antenna you can track valuable jewelry assets in real time. With this antenna you can monitor when products are sold and or moved without permission.



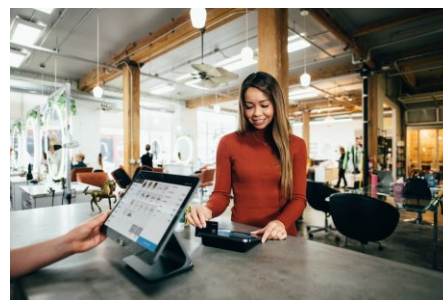
Healthcare:

The A1030 is the perfect antenna for patient monitoring, inventory control and medical equipment storage. Automatically track or identify patients and personnel, pharmaceuticals saving valuable time and resources.



Retail POS:

Save hundreds of hours of work by automating the receipt, tracking & storage of inventory with the A1030 antenna. When RFID is integrated with a store's Point of Sale (POS), it can identify when a product leaves the store without being purchased.



GLOBAL SUPPORT

In addition to our world-class products and in-depth expertise, Times-7 is known for their quality of customer service and technical support. We place emphasis on our responsiveness in supporting a large global customer base and ensuring the success of our customer's implementations.



Authorized Reseller: [RFID4Ustore](#)
www.rfid4ustore.com
1-408-739-3500

Times-7 Research Ltd
10 Te Puni Street
Lower Hutt 5012
NEW ZEALAND
P: +64 4 974 6566

USA/CANADA
P: +1 408 769 5025

E: sales@times-7.com

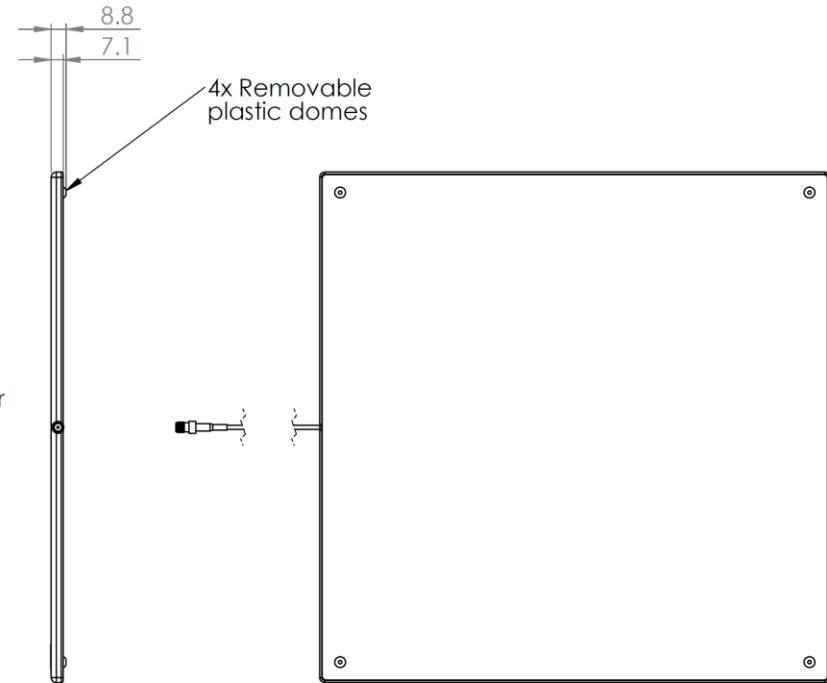
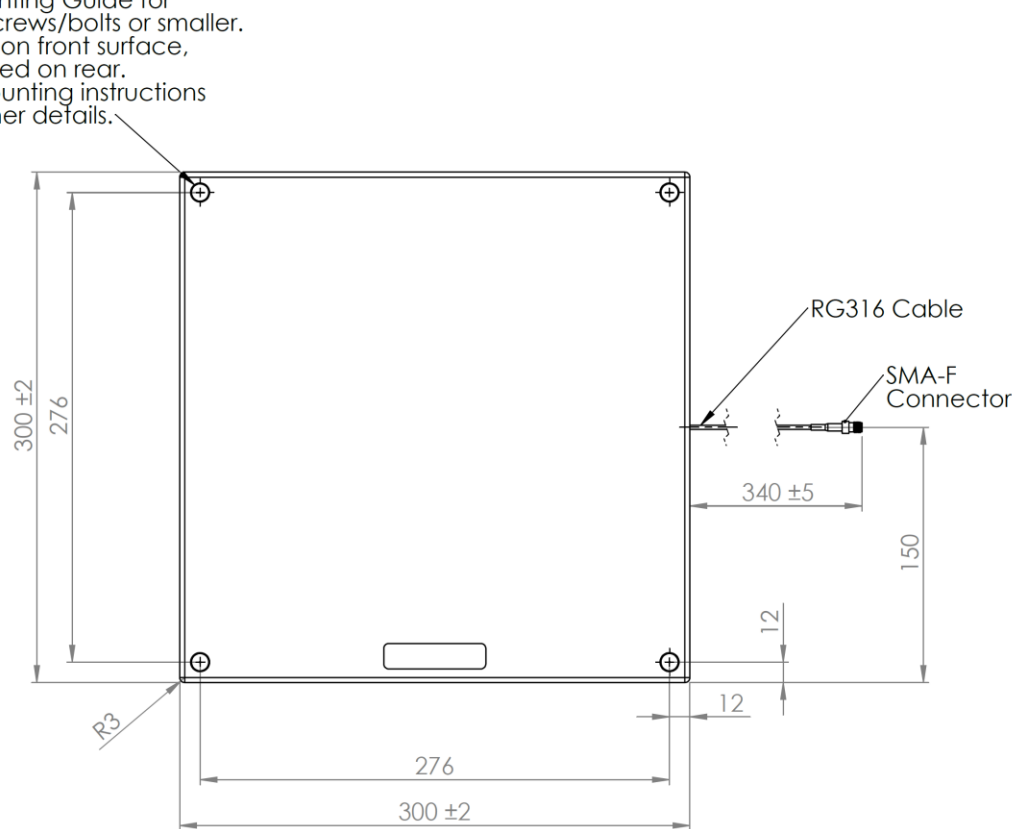
www.times-7.com

The technical data contained in this publication is not a guarantee for which Times-7 Research Ltd assumes legal accountability. It is indicative of typical performance, and if required should be relied on for specific applications only after due verification. All technical data, specifications and other information contained herein are deemed to be the proprietary intellectual property of Times-7 Research Ltd. No reproduction, copy or use thereof may be made without the express written consent of Times-7 Research Ltd.

Times-7, and the stylized T-7 Antennas logo are trademarks or registered trademarks of Times-7 Research Ltd. All other trademarks are the property of their respective owners.
© 2022 Times-7 Research Ltd. All rights reserved. Specifications are subject to change without notice.
Datasheet v3.0

Mechanical Drawing for the A1030

4x Mounting Guide for $\varnothing 4.5$ screws/bolts or smaller. Marker on front surface, pre-drilled on rear. See mounting instructions for further details.



<small>THE INFORMATION CONTAINED IN THIS DRAWING IS THE SOLE PROPERTY OF TIMES-7 LTD. ANY REPRODUCTION IN PART OR AS A WHOLE WITHOUT THE WRITTEN PERMISSION OF TIMES-7 IS PROHIBITED.</small>		<small>DIMENSIONS ARE IN mm UNLESS OTHERWISE SPECIFIED TOLERANCES: NO DECIMAL PLACES ± 1 ONE PLACE DECIMAL ± 0.5</small>				DESCRIPTION <h3>A1030 Antenna</h3>	
DRAWN C Wilson	SIGNATURE 	DATE 06/06/19	SIZE A3	PART NO. 71583 (ETSI) / 71585 (FCC)	REV C	DO NOT SCALE DRAWING	
APPROVED R Lopez	SIGNATURE 	DATE 11/06/19	SHEET 1 OF 1				